



Operating instructions
AS-i SmartLine module

GB

AC3200
AC3201
AC3202
AC3203
AC3204
AC3251
AC3257
AC3264
AC3266



Contents

| | | |
|-------|--|----|
| 1 | Preliminary note | 3 |
| 1.1 | Symbols used | 3 |
| 1.2 | Safety symbol on the device | 3 |
| 1.3 | Warnings used | 3 |
| 2 | Safety instructions | 4 |
| 3 | Intended use | 5 |
| 4 | Installation | 6 |
| 4.1 | Installation location | 6 |
| 4.2 | Installation of the device | 6 |
| 4.3 | Identical units mounted side by side | 6 |
| 4.4 | Deratings for side by side mounting of identical units | 7 |
| 4.5 | Side by side mounting of different units | 9 |
| 4.6 | Removing the unit | 10 |
| 4.7 | Installation of the sensors | 10 |
| 5 | Electrical connection | 11 |
| 5.1 | General wiring information | 11 |
| 5.2 | Deratings for individually mounted units | 11 |
| 5.3 | Wiring | 13 |
| 5.3.1 | Digital input and output modules AC3200, AC3201, AC3251 and AC3257 | 13 |
| 5.3.2 | Digital input modules AC3202 and AC3204 | 13 |
| 5.3.3 | Digital output module AC3203 | 14 |
| 5.3.4 | Digital input and output modules AC3264 and AC3266 | 15 |
| 5.4 | Connection technology | 15 |
| 5.5 | Connection accessories | 15 |
| 5.6 | AUX supply / fuse | 16 |
| 6 | Set-up / addressing | 17 |
| 6.1 | Addressing with the AC1154 addressing unit | 17 |
| 7 | Operating and display elements | 18 |
| 7.1 | Operation / LEDs | 18 |
| 7.2 | Scale drawing | 19 |
| 8 | Maintenance, repair and disposal | 20 |
| 8.1 | Maintenance | 20 |
| 8.2 | Cleaning the housing surface | 20 |
| 8.3 | Repair | 20 |
| 8.4 | Disposal | 20 |

1 Preliminary note

You will find instructions, technical data, approvals, accessories and further information using the QR code on the unit / packaging or at www.ifm.com.

1.1 Symbols used

- ✓ Requirement
- ▶ Instructions
- ▷ Reaction, result
- [...] Designation of keys, buttons or indications
- Cross-reference
-  Important note
Non-compliance may result in malfunction or interference.
-  Information
Supplementary note




1.2 Safety symbol on the device



Safety symbol on the device:

- ▶ Adhere to the operating instructions for the safe operation of the unit.

1.3 Warnings used

| | |
|---|--|
|  | ATTENTION Warning of damage to property |
|  | CAUTION Warning of personal injury ▷ Slight reversible injuries may result. |
|  | WARNING Warning of serious personal injury ▷ Death or serious irreversible injuries may result. |

2 Safety instructions

- The unit described is a subcomponent for integration into a system.
 - The system architect is responsible for the safety of the system.
 - The system architect undertakes to perform a risk assessment and to create documentation in accordance with legal and normative requirements to be provided to the operator and user of the system. This documentation must contain all necessary information and safety instructions for the operator, the user and, if applicable, for any service personnel authorised by the architect of the system.
- Read this document before setting up the product and keep it during the entire service life.
- The product must be suitable for the corresponding applications and environmental conditions without any restrictions.
- Only use the product for its intended purpose (→ Intended use).
- If the operating instructions or the technical data are not adhered to, personal injury and/or damage to property may occur.
- The manufacturer assumes no liability or warranty for any consequences caused by tampering with the product or incorrect use by the operator.
- Installation, electrical connection, set-up, operation and maintenance of the product must be carried out by qualified personnel authorised by the machine operator.
- Protect units and cables against damage.
- Replace damaged units, otherwise the technical data and safety will be impaired.

3 Intended use

- The devices act as digital input and output modules in the AS-i network. They connect max. 4 sensors (2-wire or 3-wire sensors) and max. 4 actuators each with the AS-i master.
- Actuator outputs as high-side semiconductor outputs with overload/short-circuit protection.

Permitted use:

- In an industrial environment (indoors) as a permanently installed unit with supply from SELV/PELV according to the technical data
- In the control cabinet.

Operation by trained, authorised specialist personnel due to protection class IP20.

- AC3200: 4 digital inputs / 4 digital outputs (transistor), sensor supply from AS-i
- AC3201: 4 digital inputs / 4 digital outputs (transistor), sensor sensor supply from AUX
- AC3202: 4 digital inputs, sensor supply from AS-i
- AC3203: 4 digital outputs (transistor)
- AC3204: 4 digital inputs, sensor supply from AUX
- AC3251: 4 digital inputs / 4 digital outputs (transistor), sensor supply from AS-i
- AC3257: 4 digital inputs / 4 digital outputs (transistor), sensor sensor supply from AUX
- AC3264: 4 digital inputs / 3 digital outputs (transistor), sensor supply from AS-i
- AC3266: 4 digital inputs / 3 digital outputs (transistor), sensor sensor supply from AUX

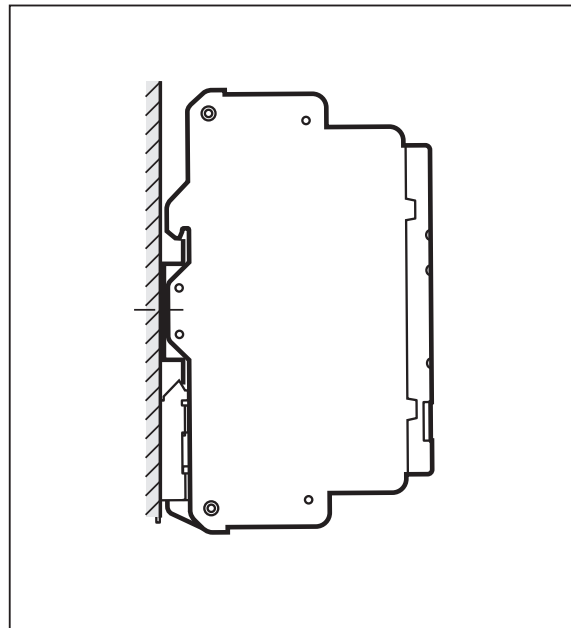
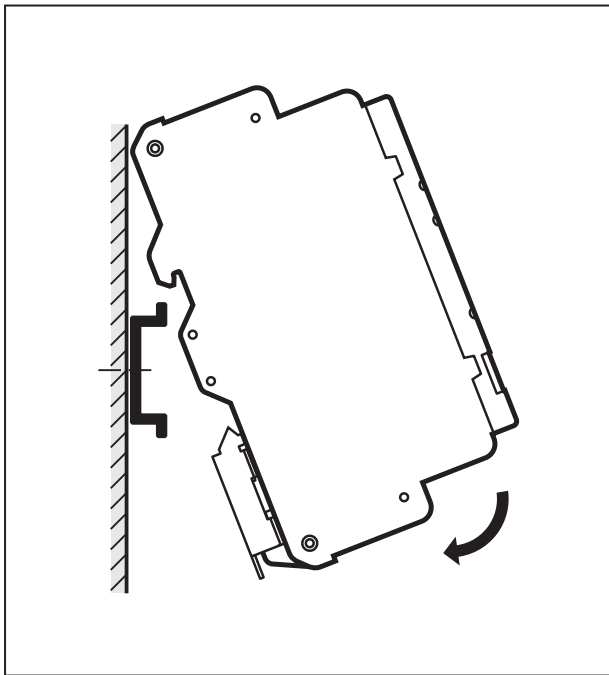
4 Installation

4.1 Installation location

To ensure correct operation, install the device in a housing that can only be opened using a tool or in a locked control cabinet (both protection rating IP 54 or higher) as an enclosure in accordance with EN61010-1.

4.2 Installation of the device

- ▶ Mount the device on a 35 mm DIN rail.



- ▶ Leave enough space (≥ 50 mm) between the unit and the top and bottom of the control cabinet to enable air circulation and to avoid excessive heating.

4.3 Identical units mounted side by side

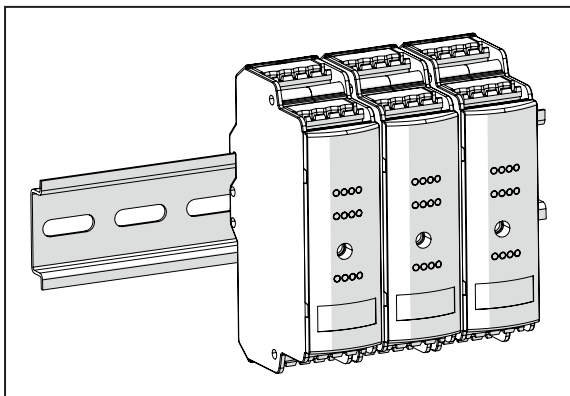
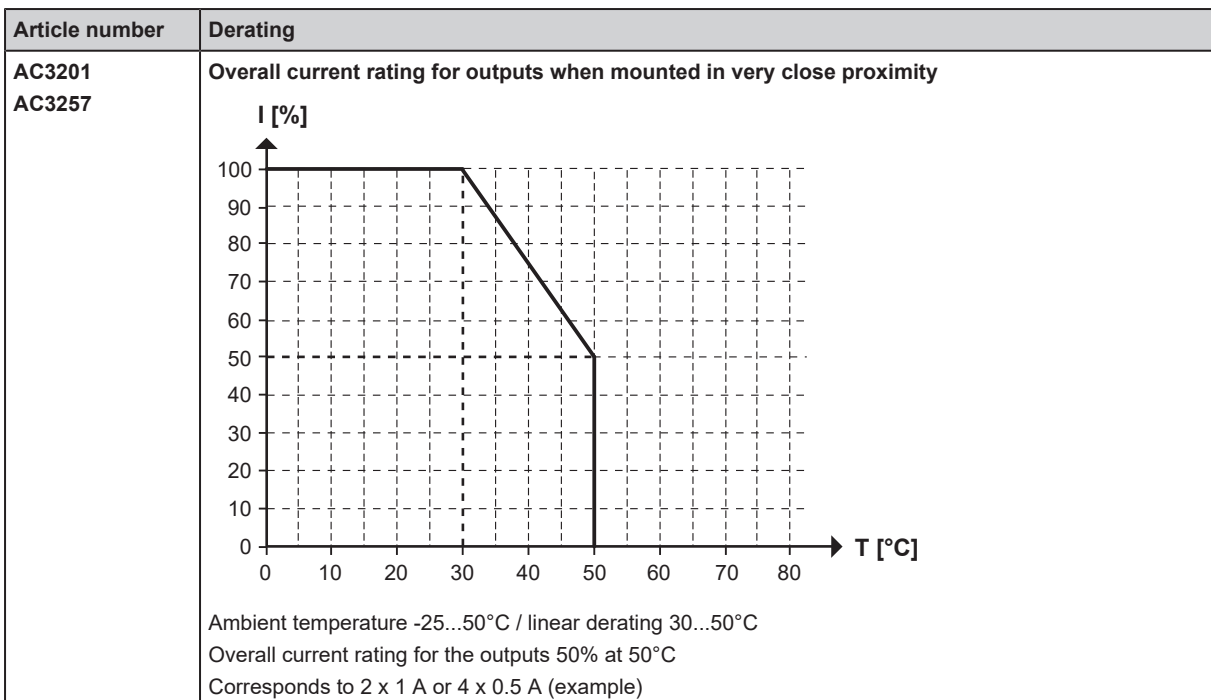
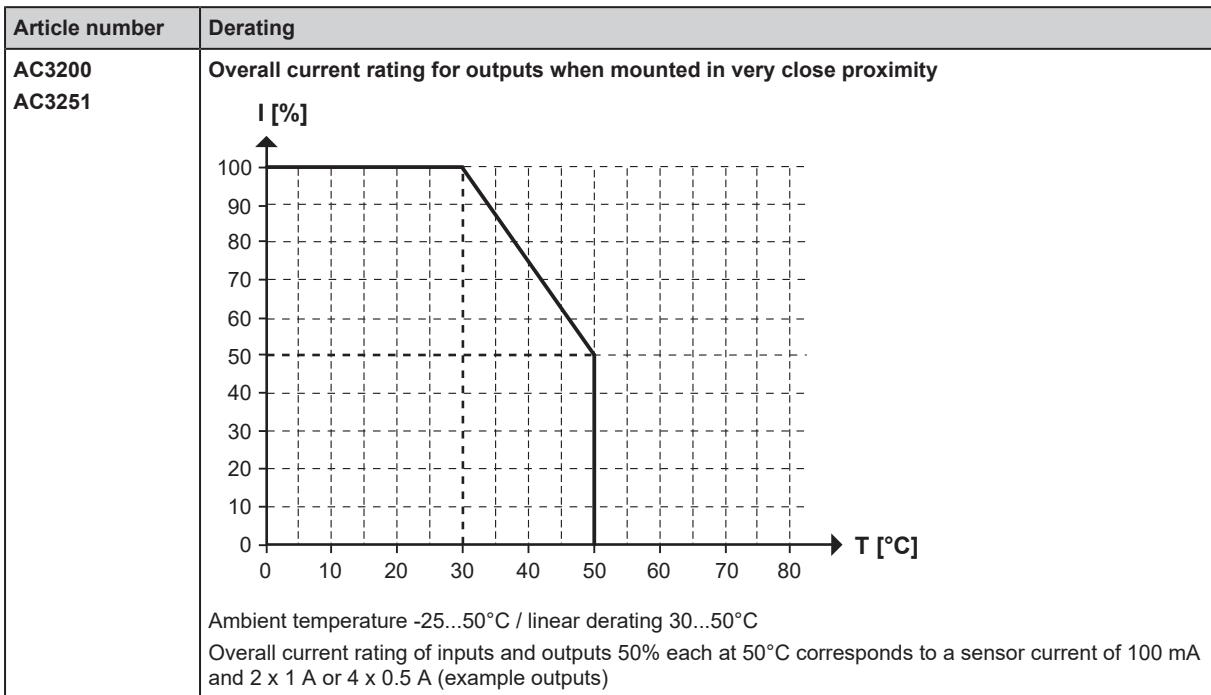
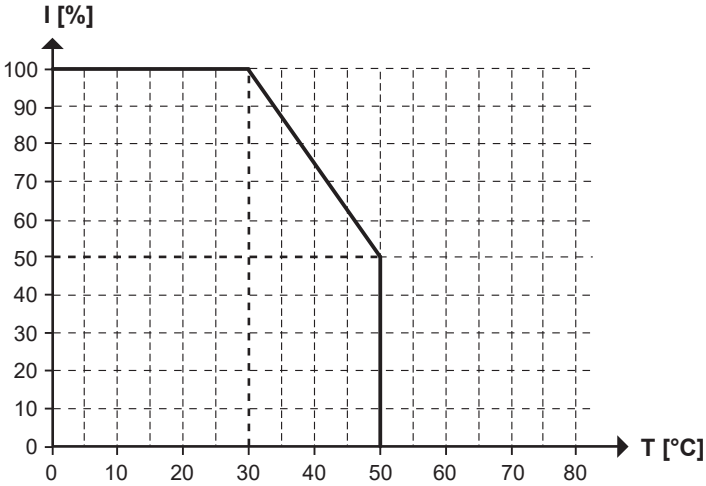


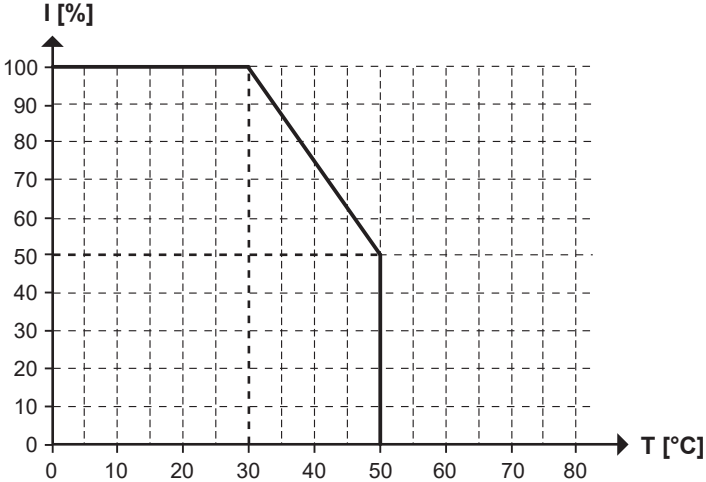
Fig. 1: Identical units mounted side by side

4.4 Deratings for side by side mounting of identical units

When identical units are mounted next to each other, derating according to the following tables applies:



| Article number | Derating |
|----------------|---|
| AC3264 | <p data-bbox="391 239 1126 268">Overall current rating for outputs when mounted in very close proximity</p>  <p data-bbox="391 786 948 815">Ambient temperature -25...50°C / linear derating 30...50°C</p> <p data-bbox="391 817 1362 869">Overall current rating for inputs and outputs 50% each at 50°C corresponds to a sensor current of 100 mA and 1 A + 0.5A or 3 x 0.5 A (example: outputs)</p> |

| Article number | Derating |
|----------------|--|
| AC3266 | <p data-bbox="391 949 1126 978">Overall current rating for outputs when mounted in very close proximity</p>  <p data-bbox="391 1496 948 1525">Ambient temperature -25...50°C / linear derating 30...50°C</p> <p data-bbox="391 1527 1299 1556">Overall current rating for outputs 50% at 50°C corresponds to 1 A + 0.5A or 3 x 0.5 A (example)</p> |

| Article number | Derating |
|----------------|--|
| AC3203 | <p>Overall current rating for outputs when mounted side by side</p> <p>Ambient temperature -25...55°C / linear derating 35...55°C Overall current rating for outputs 50% at 55°C corresponds to 2 x 1 A or 4 x 0.5 A (example)</p> |

| Article number | Derating |
|----------------|--|
| AC3202 | <p>Overall current rating for inputs</p> <p>Ambient temperature -25...60°C / linear derating 50...60°C Overall current rating for inputs 50% at 60°C corresponds to a sensor current of 100 mA</p> |

4.5 Side by side mounting of different units

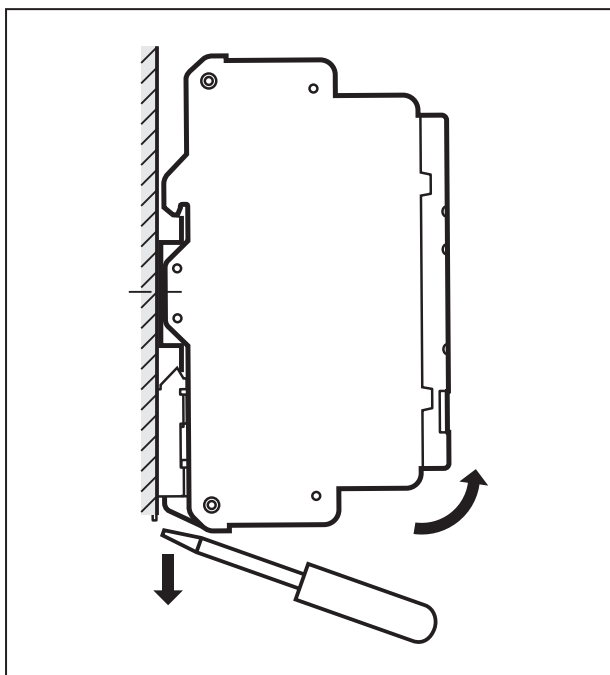
ATTENTION

If units are mounted side by side, inadmissible heating may occur between the units.

▷ Malfunction / damage is possible.

▶ Take into account the internal heating of all devices when mounting different devices side by side and observe the environmental conditions for each device.

4.6 Removing the unit





4.7 Installation of the sensors

- ▶ Follow the manufacturer's installation instructions.

5 Electrical connection

5.1 General wiring information



-  ▶ Disconnect the device from the mains supply before installation; if necessary, also disconnect any independently supplied input / output load circuits.
- ▶ Observe the national and international regulations for the installation of electrical equipment.
-  AS-i / AUX only permissible as SELV / PELV.
- ▶ Do not use unconnected terminals which are not shown in the drawing as support point terminals.

Touchable surfaces of the unit are insulated to the AS-i / AUX circuits with basic insulation according to IEC 61010-1 (mains circuit of overvoltage category II up to 300 V nominal mains voltage).

This does not apply to connection areas and cooling openings (IP20)

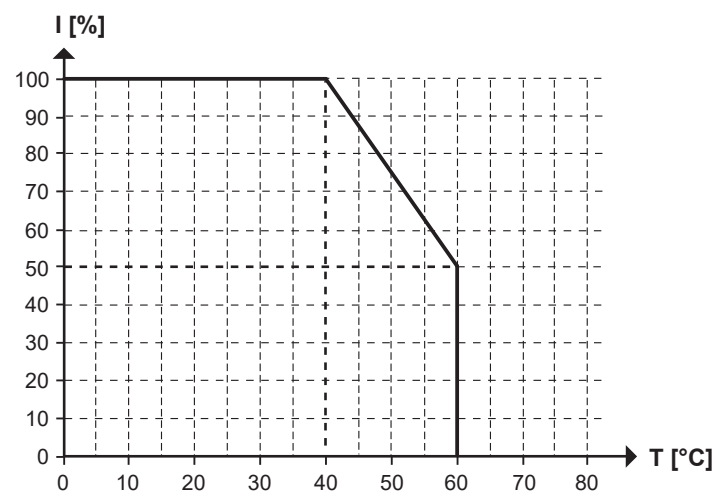
The AS-i / AUX circuits are insulated from each other with basic insulation according to IEC 61010-1 (secondary circuit with max. 32 V DC, supplied from the mains circuit up to 300 V of overvoltage category II).

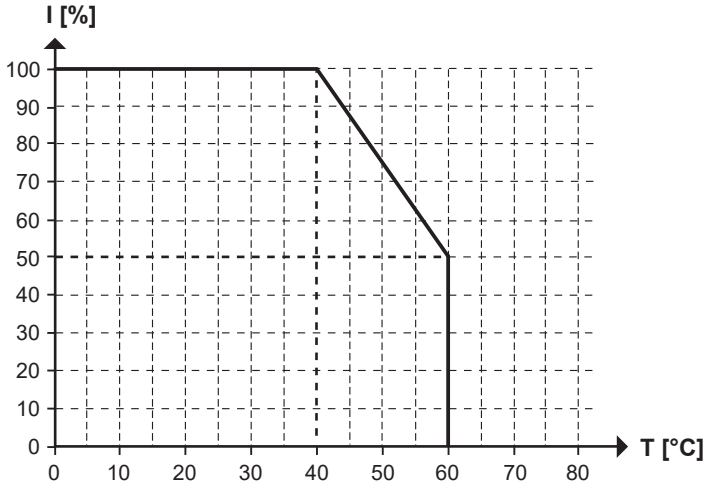
The external wiring has to be carried out in a way that ensures the required separation from other circuits.

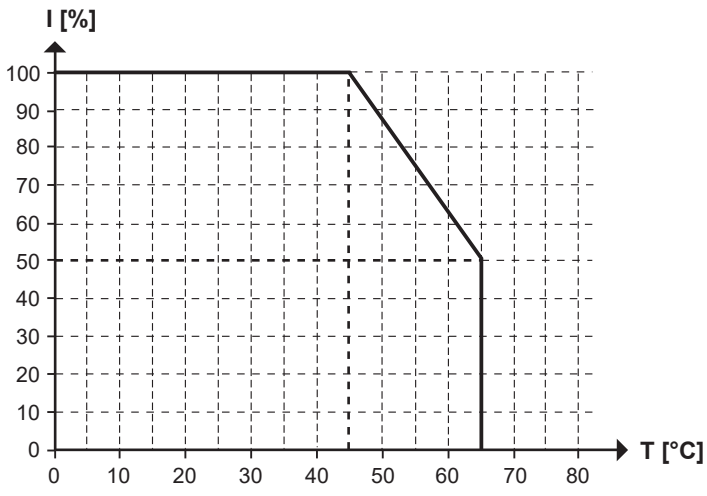
-  AC3200, AC3202, AC3251, AC3264
 - ▶ Do not connect the terminals I1...I4 und I+, I- to external potential.
-  The switch-on and switch-off capacity for triggering solenoids is rated up to 20 W (according to IEC 60947-5-2, utilisation category DC-13).

5.2 Deratings for individually mounted units

Observe the derating of the current rating depending on the ambient temperature according to the following tables:

| Article number | Derating |
|--------------------------------------|---|
| AC3200 AC3201 AC3251 AC3257 | <p>Overall current rating for inputs and outputs in case of a single unit</p>  <p>Ambient temperature -25...60°C / 40...60°C linear derating Overall current rating for the outputs 50% at 60°C corresponds to 2 x1 A or 4 x 0.5 A (example)</p> |

| Article number | Derating |
|--------------------------|---|
| <p>AC3264 AC3266</p> | <p>Overall current rating for inputs and outputs in case of a single unit</p>  <p>Ambient temperature -25...60°C / 40...60°C linear derating Overall current rating for the outputs 50% at 60°C 1 A + 0.5 A or 3 x 0.5 A (example)</p> |

| Article number | Derating |
|----------------|---|
| <p>AC3203</p> | <p>Overall current rating for outputs in case of a single unit</p>  <p>Ambient temperature -25...65°C / 45...65°C linear derating Overall current rating for the outputs 50% at 60°C 2 x 1 A or 4 x 0.5 A (example)</p> |

5.3 Wiring

5.3.1 Digital input and output modules AC3200, AC3201, AC3251 and AC3257

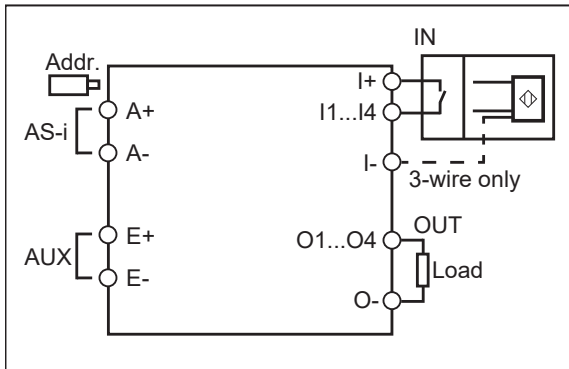


Fig. 2: Wiring

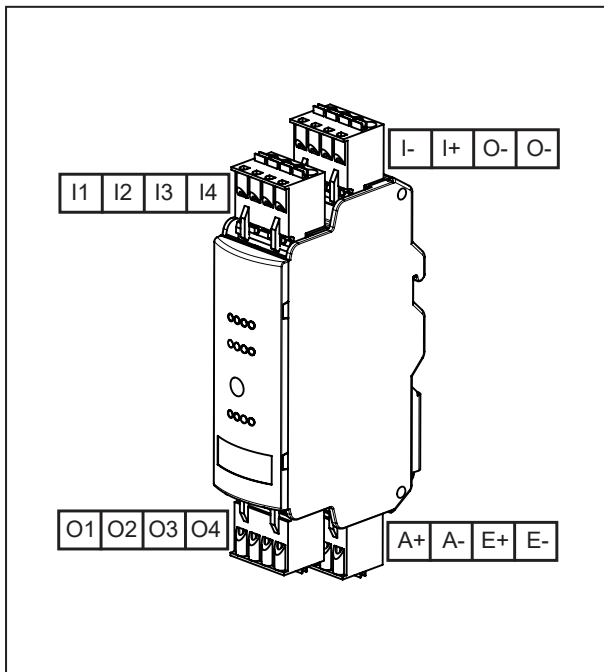


Fig. 3: Terminal connection

- I-: sensor supply 0 V
- I+: sensor supply +24 V
- AC3200, AC3251: sensor supply via AS-i
- AC3201, AC3257: sensor supply via AUX
- O-: actuator switching output 0 V
- I1...I4: switching input sensors 1...4
- O1...O4: switching output actuators 1 ... 4
- A+: AS-i +
- A-: AS-i -
- E+: external voltage supply (AUX) for sensors (AC3201, AC3257) / actuators +24 V
- E-: external voltage supply (AUX) for sensors (AC3201, AC3257) / actuators +0 V

5.3.2 Digital input modules AC3202 and AC3204

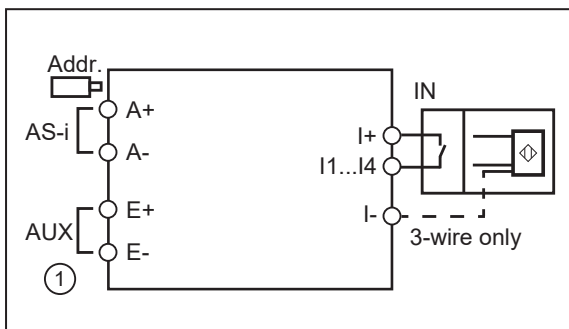
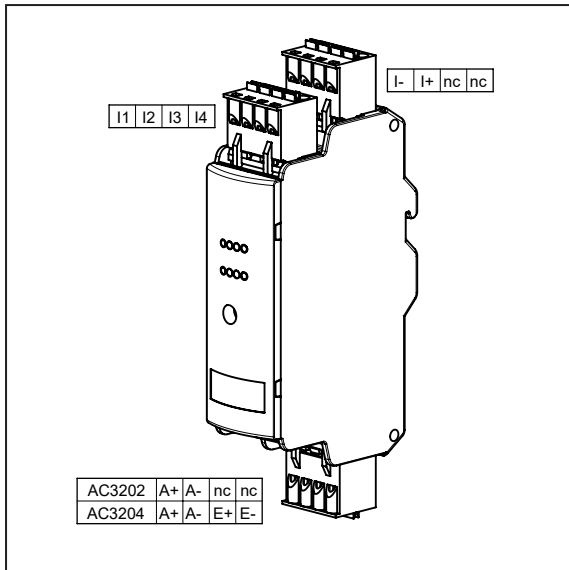


Fig. 4: Wiring

- 1: only AC3204



I-: sensor supply 0 V
 I+: sensor supply +24 V
 AC3202: sensor supply via AS-i
 AC3204: sensor supply via AUX
 I1...I4: switching input sensors 1...4
 A+: AS-i +
 A-: AS-i -
 E+: external voltage supply (AUX) for sensors +24 V (only AC3204)
 E-: external voltage supply (AUX) for sensors 0 V (only AC3204)
 n.c.: not used

Fig. 5: terminal assignment

5.3.3 Digital output module AC3203

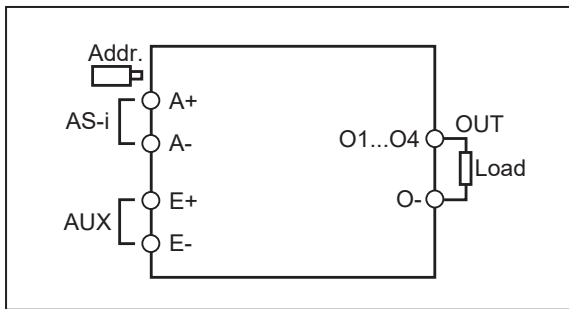
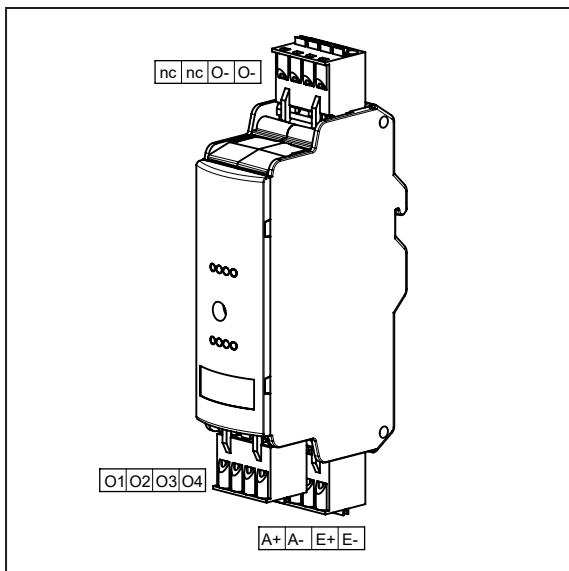


Fig. 6: Wiring



O-: actuator switching output 0 V
 O1.O4: switching output actuators 1...4
 A+: AS-i +
 A-: AS-i -
 E+: external voltage supply (AUX) for actuators +24 V
 E-: external voltage supply (AUX) for actuators 0 V
 n.c.: not used

Fig. 7: terminal assignment

5.3.4 Digital input and output modules AC3264 and AC3266

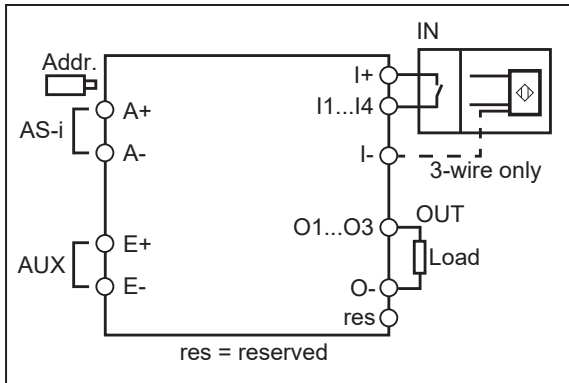


Fig. 8: Wiring

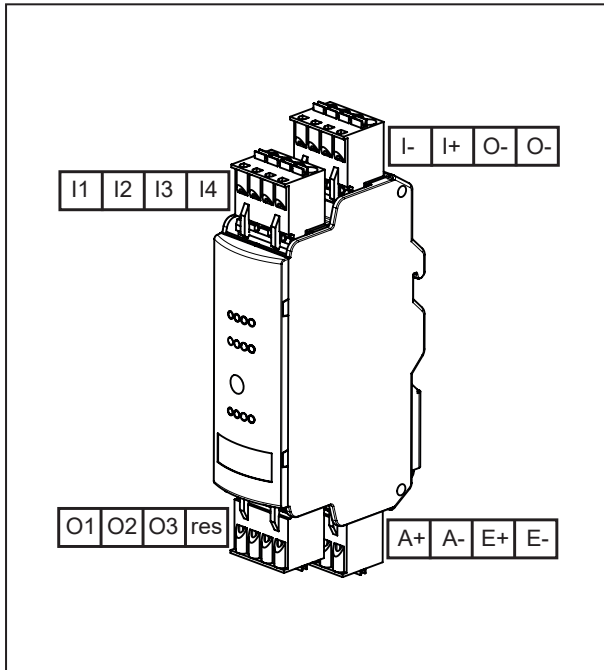


Fig. 9: Terminal connection

- I-: sensor supply 0 V
- I+: sensor supply +24 V
- AC3264: sensor supply via AS-i
- AC3266: sensor supply via AUX
- O-: actuator switching output 0 V
- I1...I4: switching input sensors 1...4
- O1...O3: switching output actuators 1 ... 3
- A+: AS-i +
- A-: AS-i -
- E+: external voltage supply (AUX) for sensors (AC3266) / actuators +24 V
- E-: external voltage supply (AUX) for sensors (AC3266) / actuators +24 V
- res.: reserved

5.4 Connection technology

ATTENTION

No IP20 protection without connector.

- ▷ Cover unused connectors with terminals.
- ▶ Observe IP 20.

- ▶ Strip the insulation from the connection cables to 10 mm.

5.5 Connection accessories

The unit is supplied including connectors.

5.6 AUX supply / fuse



Only for connection with an isolating transformer with a UL approved 10 A upstream fuse at AUX (E+).

Alternatively, a class 2 power supply can be used to supply AUX.

Alternatively, an energy-limited circuit according to UL61010 can be used to supply AUX.

Please note the technical data concerning the AUX supply.



The maximum cable length is 30 m.

6 Set-up / addressing

The address is set to 0 at the factory.

6.1 Addressing with the AC1154 addressing unit

When mounted and wired, the module can be addressed with the addressing cable (E70213) via the integrated addressing interface.

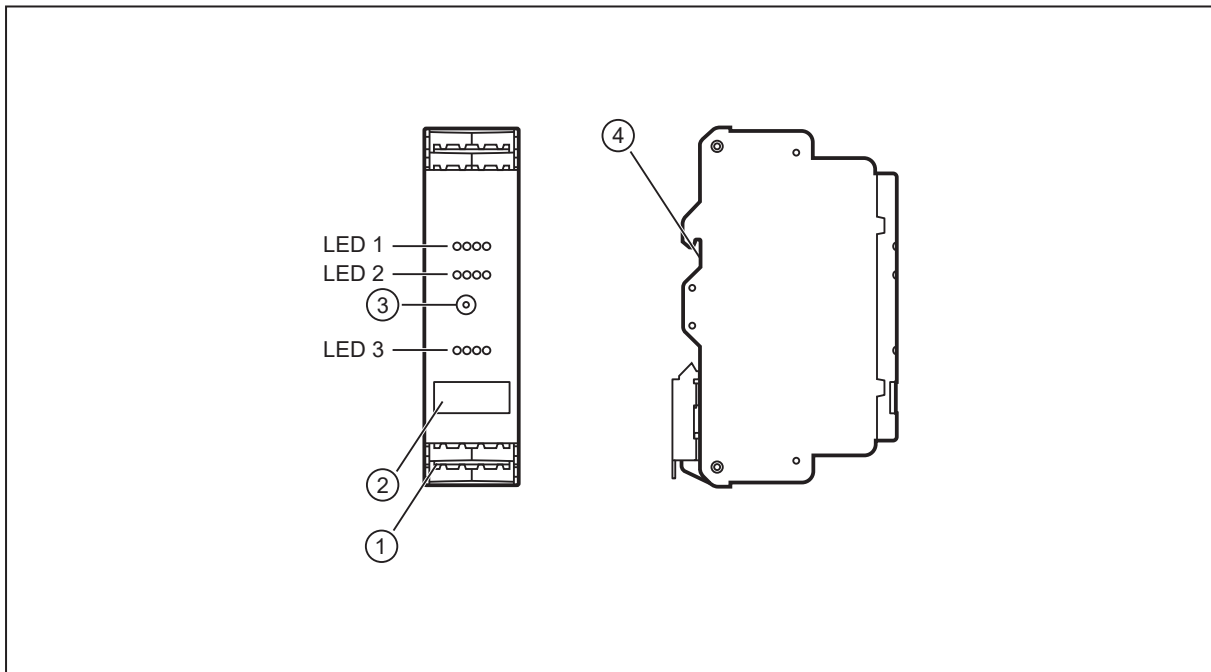
If a slave is used in combination with a master of the new generation (version 2.1), it is possible to select an address between 1A and 31B with the AC1154 addressing unit.

If a slave with the ID code "A" (extended address mode possible) is used in combination with a master of the 1st generation (version 2.0), the parameter P3 must be 1 and the output bit D3 must be 0.* The output bit D3 must not be used.

An address between 1A and 31A must be assigned to this slave.

* Default setting

7 Operating and display elements

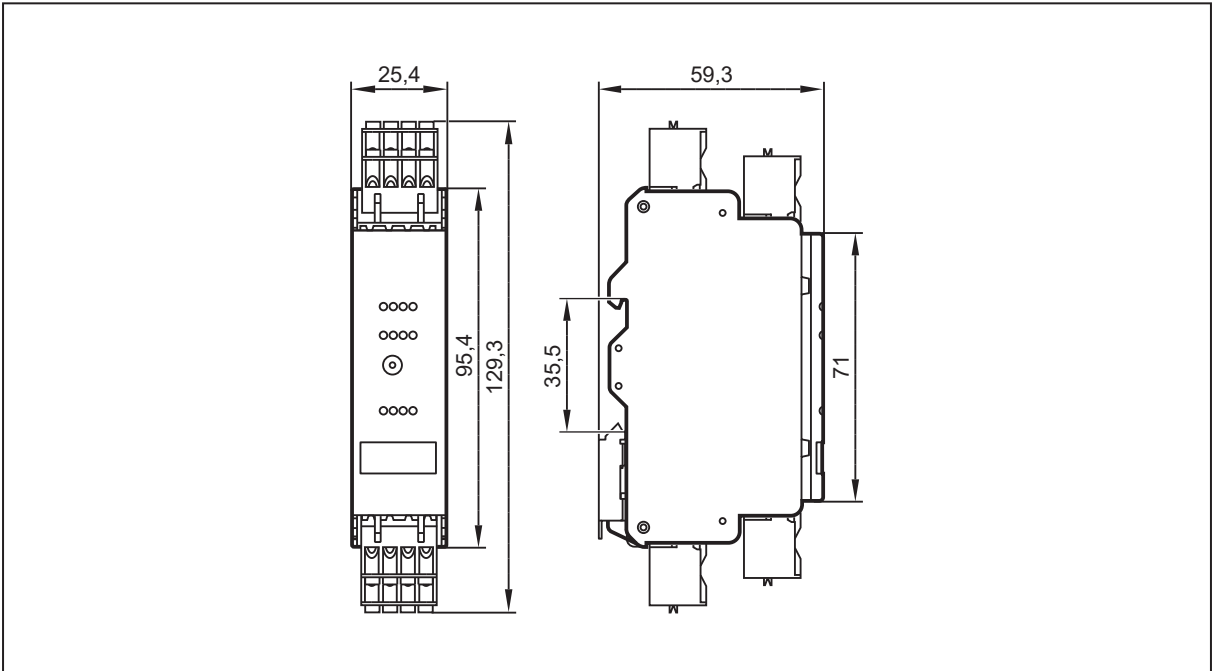


| | |
|-------------------------------|---|
| 1: Connector with cage clamps | LED 1-1: Switching status indication for sensor inputs I1...I4 (except AC3203) |
| 2: Panel for labelling | LED 2-1: AS-i, FAULT, AUX (except for AC3202) |
| 3: Addressing socket | LED 3-1: Switching status indication for actuator outputs O1...O4 (except AC3202 and AC3204)) |
| 4: DIN rail mounting | |

7.1 Operation / LEDs

| | |
|--------------------------|---|
| LED 1 yellow LED on: | inputs (I1...I4) switched |
| LED 2 AS-i green lights: | AS-i voltage supply ok |
| LED 2 FAULT red lights: | AS-i communication error, slave does not participate in the "normal" exchange of data, e.g. slave address 0 |
| LED 2 FAULT red flashes: | peripheral fault, e.g. sensor supply / output overloaded or shorted |
| LED 2 AUX green lights: | external voltage supply ok |
| LED 3 yellow LED on: | output (O1...O3/ O1... O4) switched |

7.2 Scale drawing



GB

8 Maintenance, repair and disposal

8.1 Maintenance

The unit is maintenance-free.

8.2 Cleaning the housing surface

- ▶ Disconnect the device.
- ▶ Clean the device from dirt using a soft, chemically untreated and dry cloth.



Micro-fibre cloths without chemical additives are recommended.

8.3 Repair

- ▶ The device must only be repaired by the manufacturer. Observe the safety instructions (→ 2 Safety instructions) .

8.4 Disposal

- ▶ Dispose of the unit in accordance with the national environmental regulations.