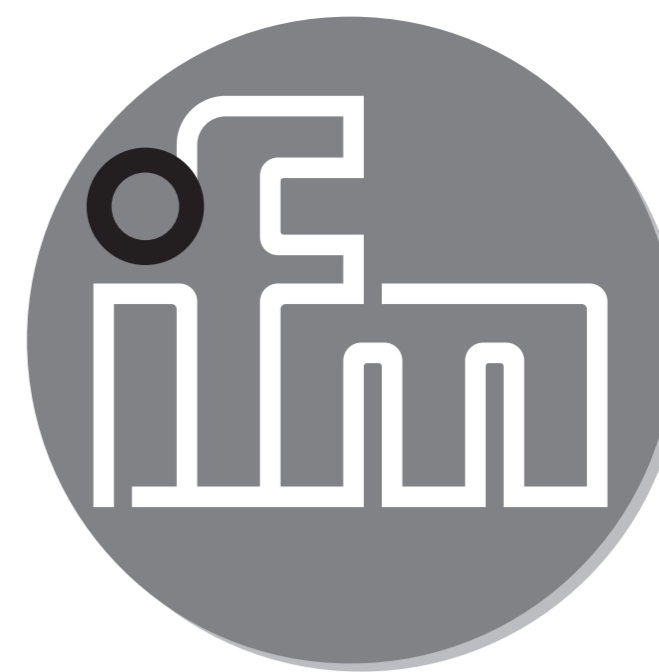


ifm electronic



Operating instructions
Retro-reflective sensor

efector200[®]

O6P2

UK

O6P200 / 01 01 / 2015



1 Preliminary note

1.1 Symbols used

▶ Instruction

> Reaction, result

[...] Designation of pushbuttons, buttons or indications

→ Cross-reference



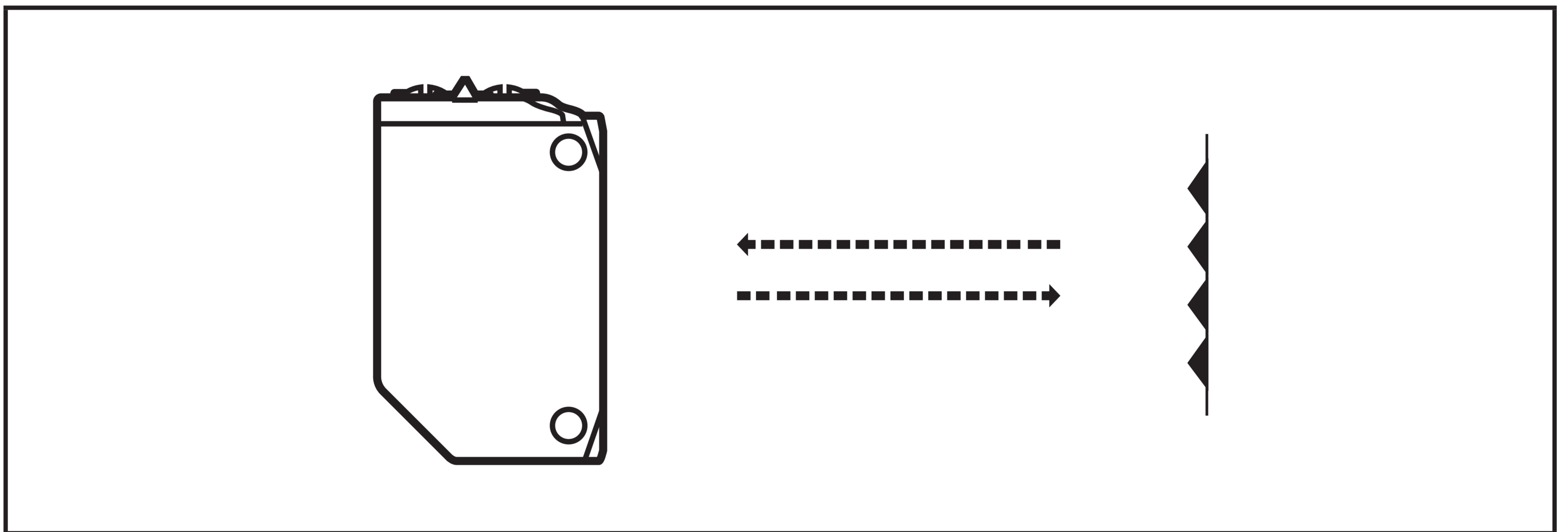
Important note

Non-compliance can result in malfunctions or interference.

2 Functions and features

In conjunction with a prismatic reflector or reflective tape the retro-reflective sensor detects objects and materials without contact and indicates their presence by a switching signal.

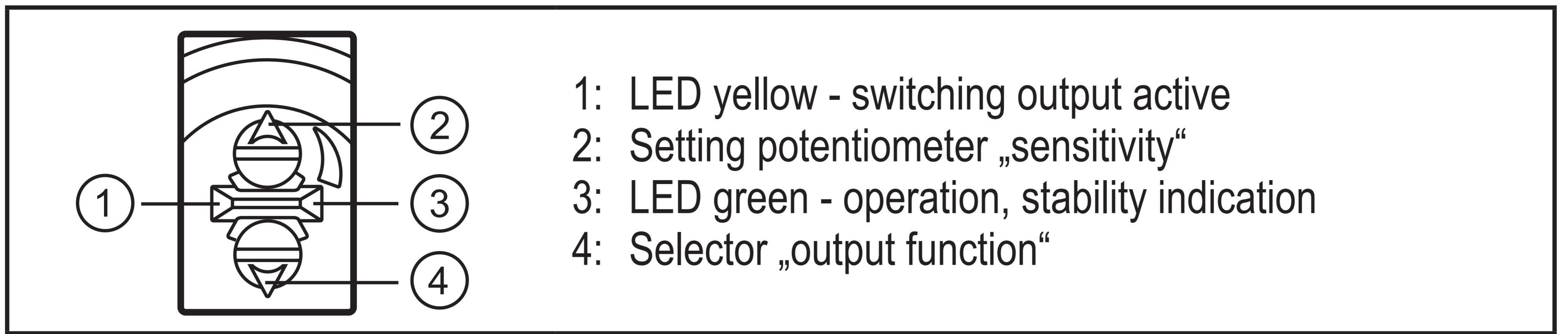
3 Installation



- ▶ Fit the prismatic reflector or the reflective tape behind the object to be detected.
- ▶ Align the retro-reflective sensor to it and secure it to a bracket.

Maximum range only with accurate alignment.

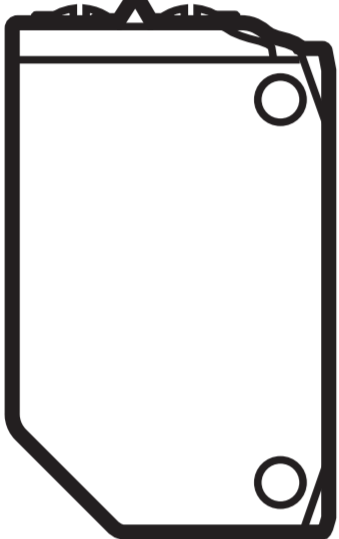
4 Operating and display elements



4.1 Stability indication

The green LED is lit when the supply voltage is applied and there is sufficient excess gain. Under these conditions the sensor receives a stable signal.

UK

	stable signal	switch point		stable signal
				
Light-on mode				
LED green	on	off	off	on
LED yellow	on	on	off	off
Dark-on mode				
LED green	on	off	off	on
LED yellow	off	off	on	on

5 Electrical connection



The unit must be connected by a qualified electrician.

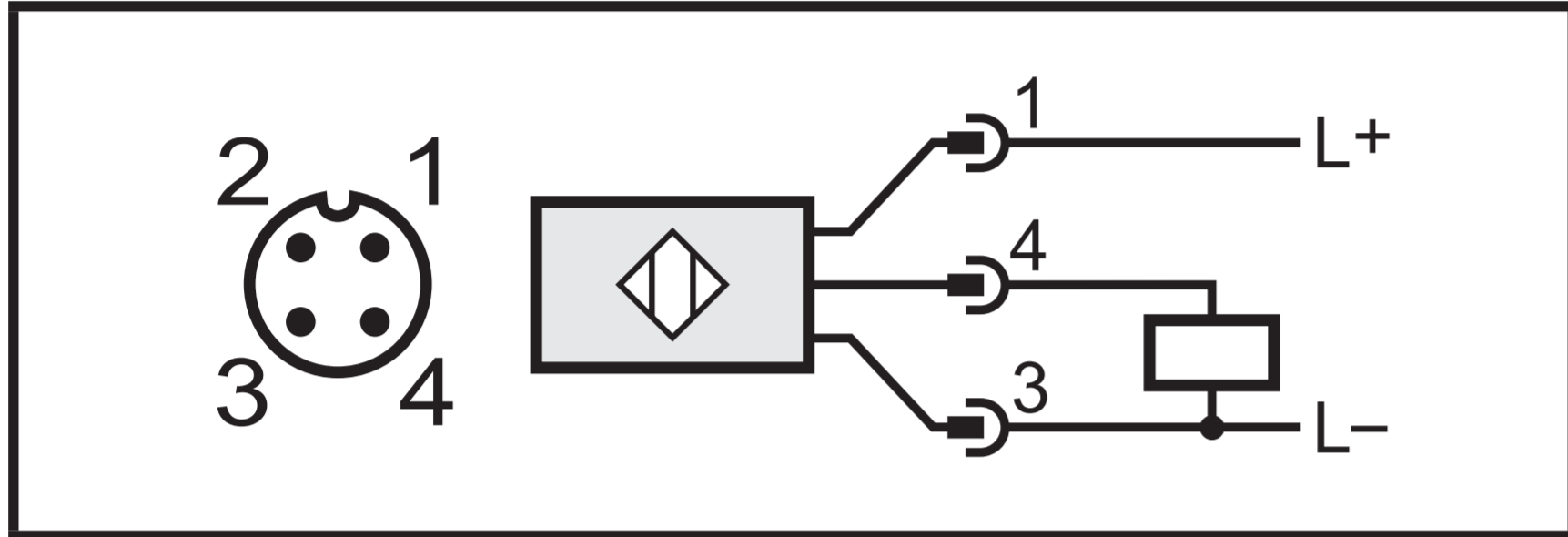
- ▶ The national and international regulations for the installation of electrical equipment must be adhered to.
- ▶ Ensure voltage supply to EN 50178.

▶ Disconnect power.

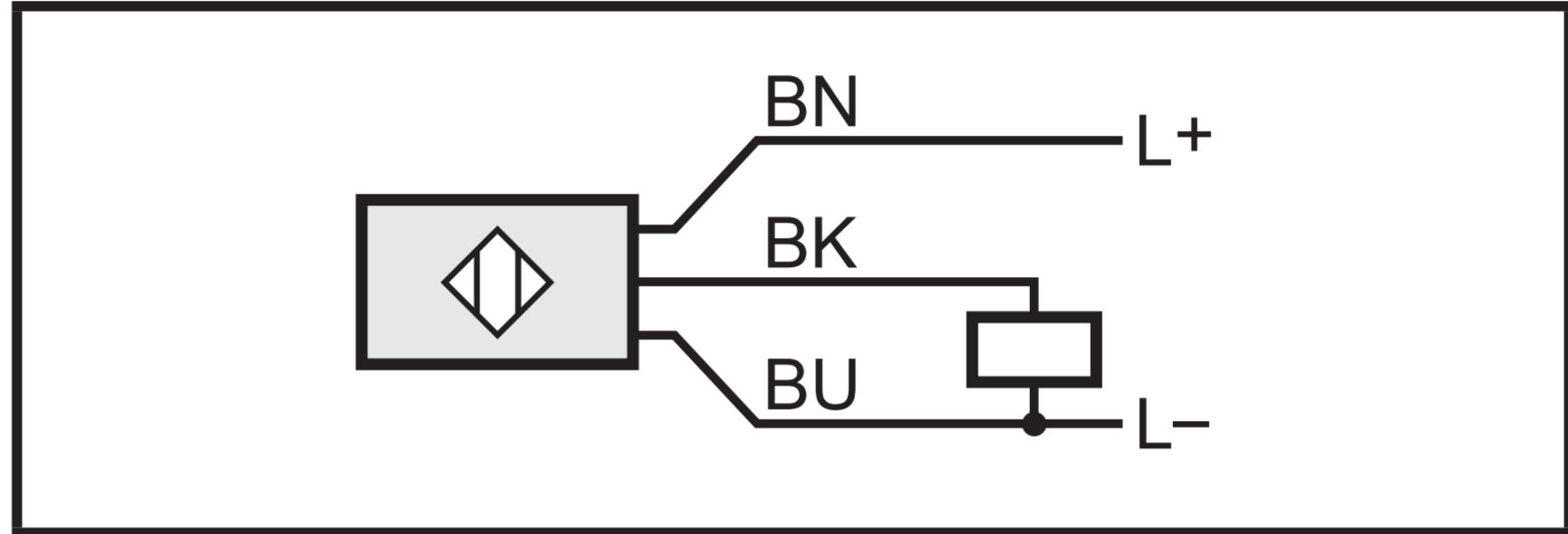
▶ Connect the unit as follows:

5.1 PNP

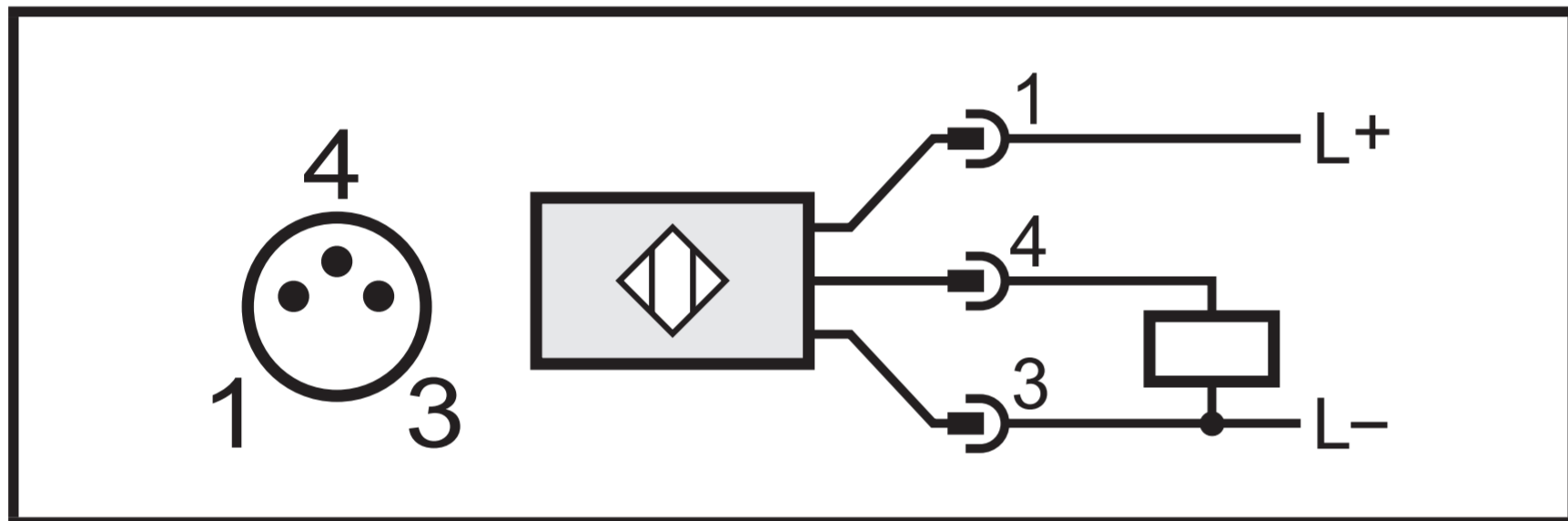
Connector M12 pigtail



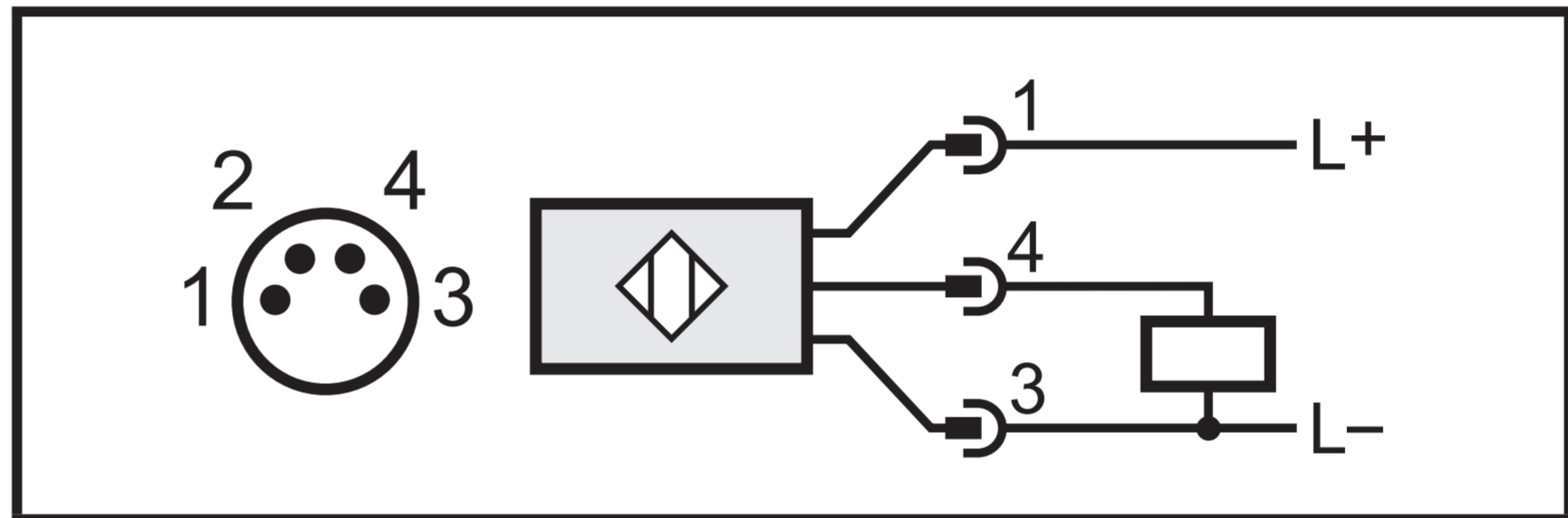
Cable *



Connector M8 3-pin



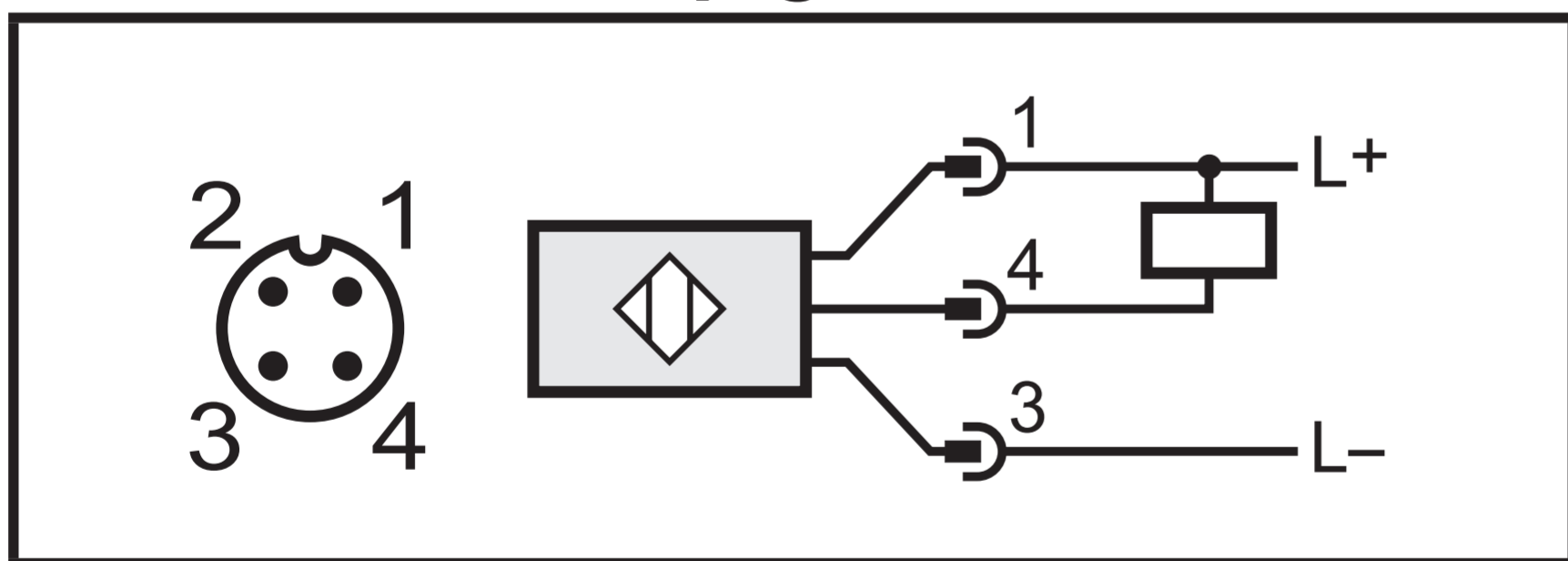
Connector M8 4-pin



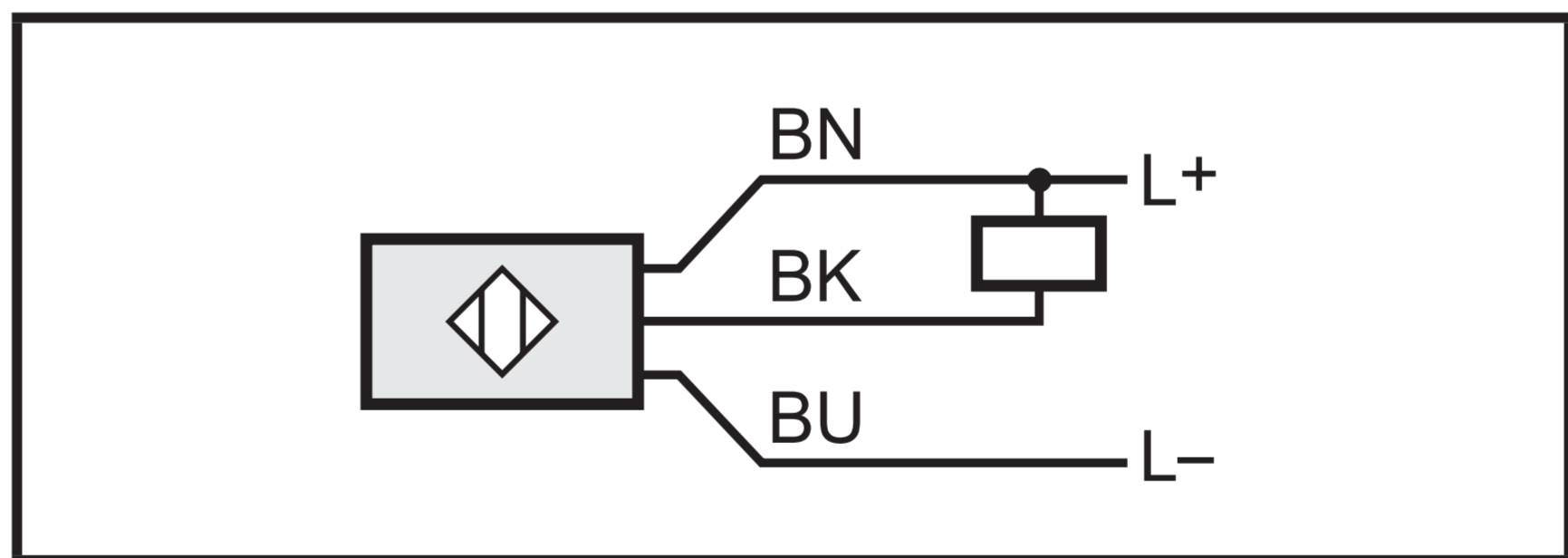
* Core colours: BN = brown, BU = blue, BK = black

5.2 NPN

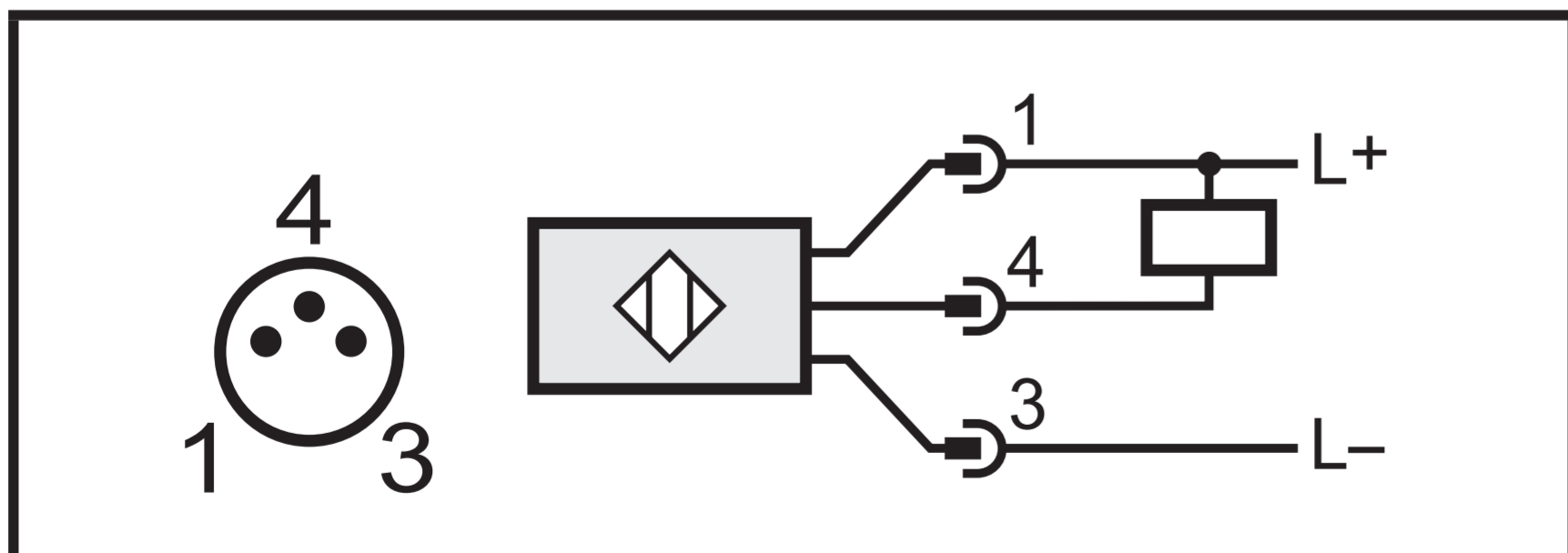
Connector M12 pigtail



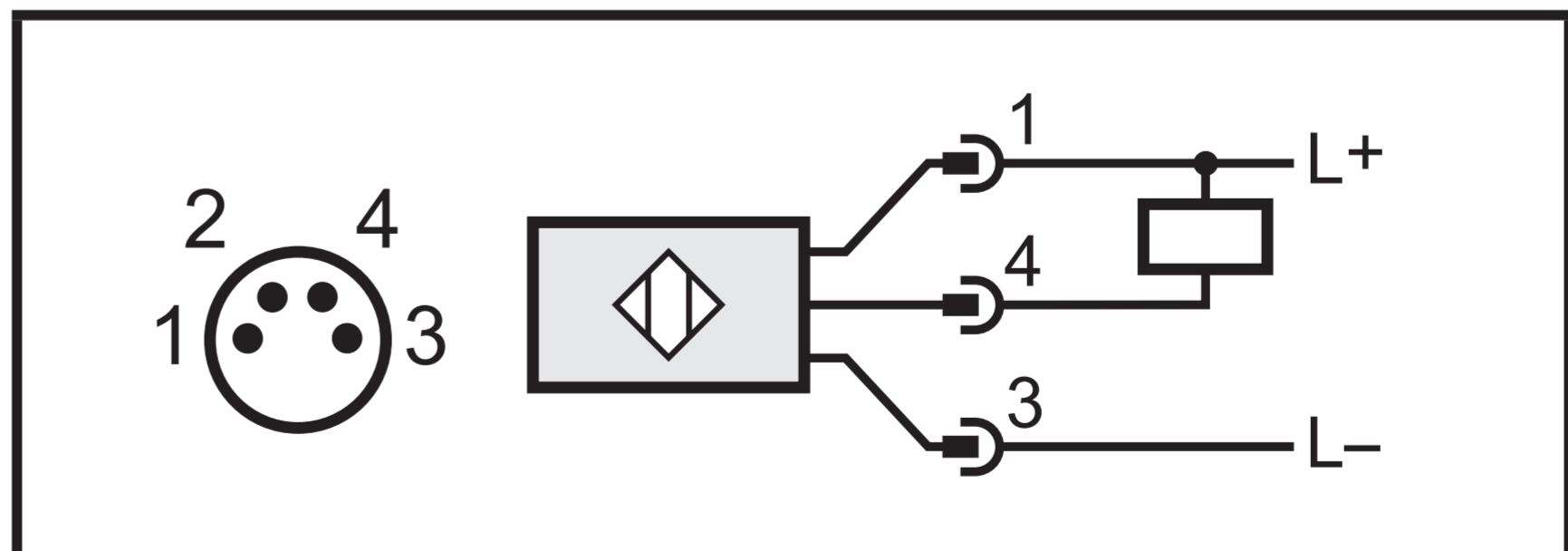
Cable *



Connector M8 3-pin



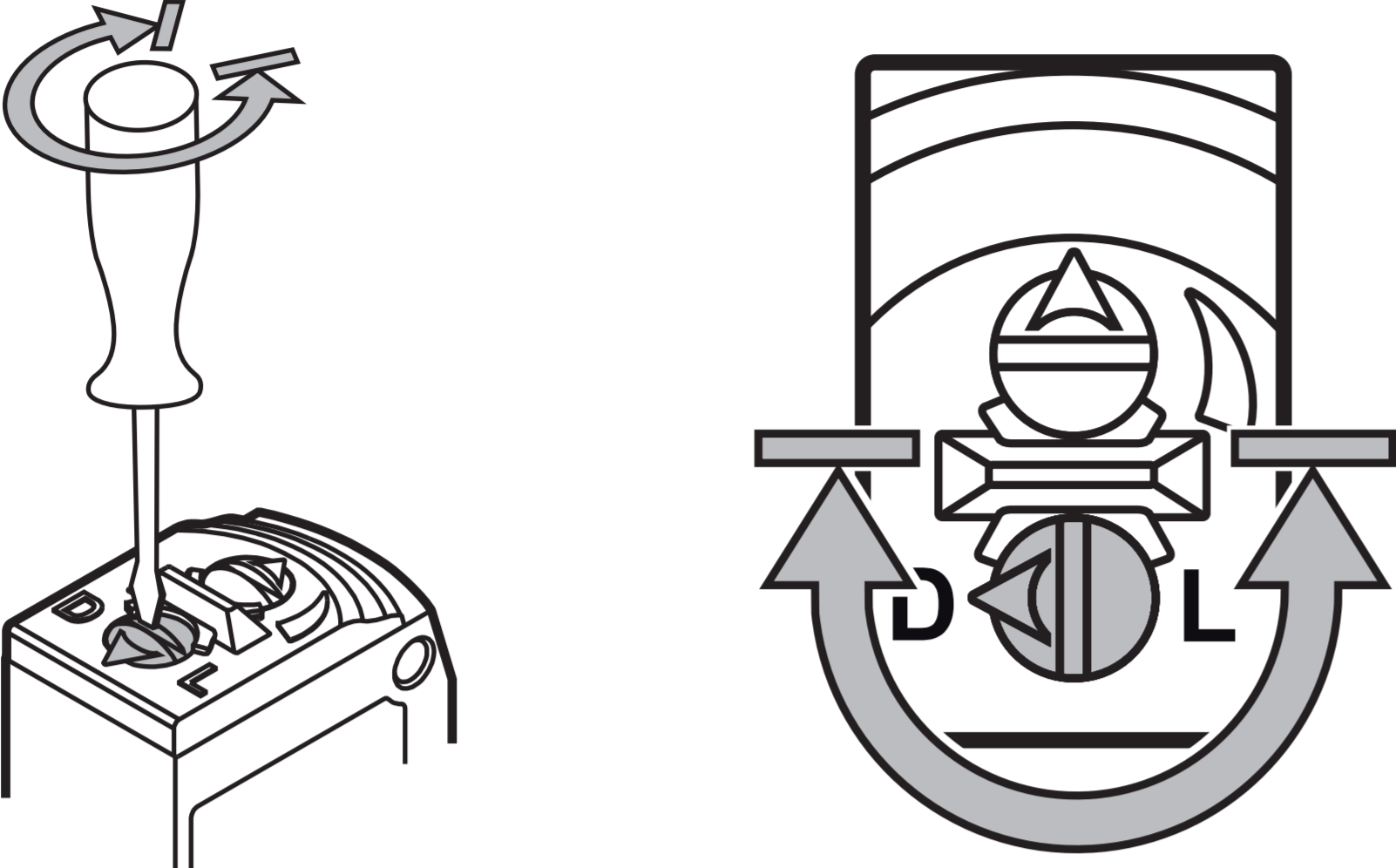
Connector M8 4-pin



* Core colours: BN = brown, BU = blue, BK = black

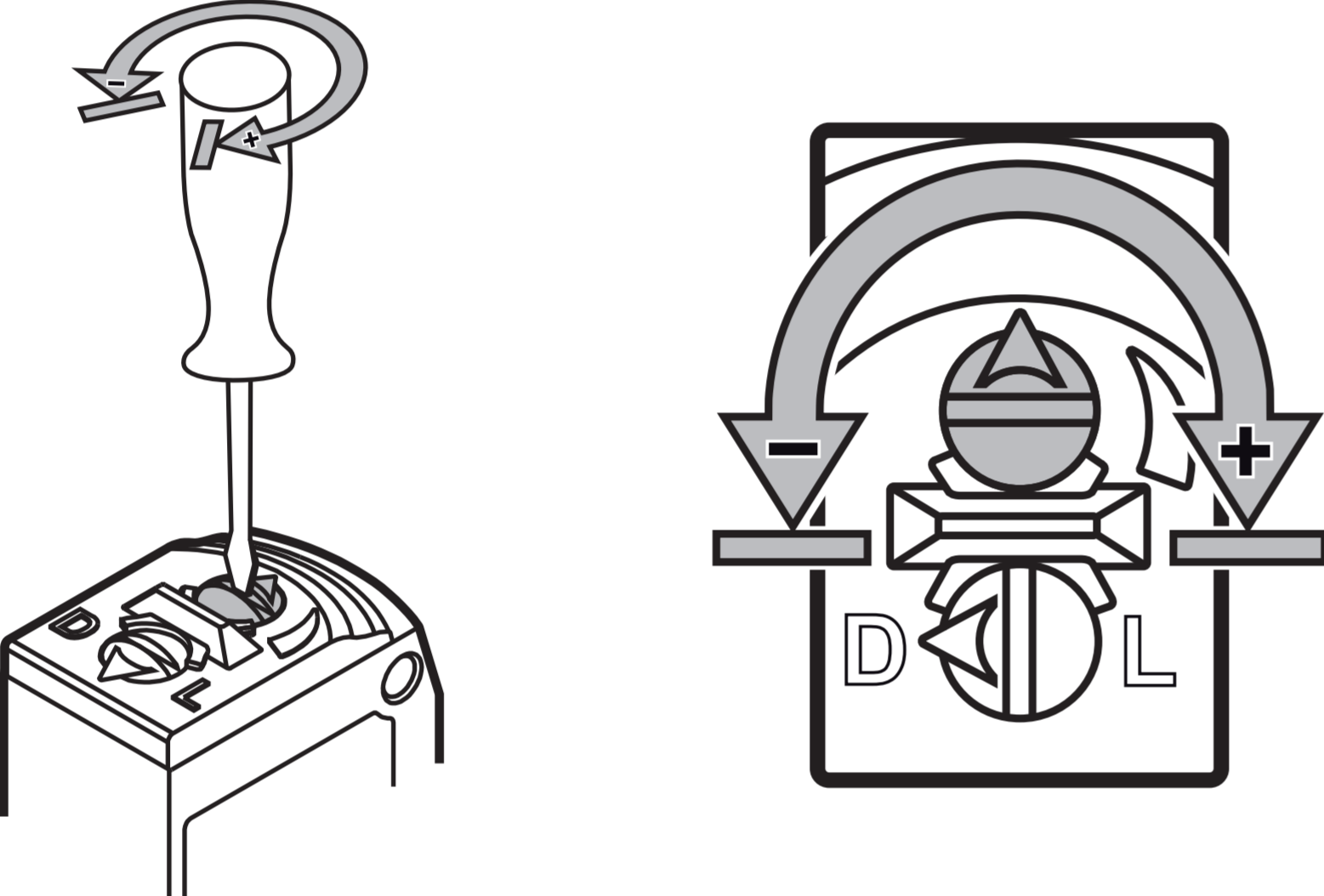
6 Settings

6.1 Set the output function

	<ul style="list-style-type: none">▶ Setting D: dark-on mode▶ Setting L: light-on mode
---	--

UK

6.2 Set the sensitivity

	<ul style="list-style-type: none">▶ Increase sensitivity: turn the setting screw of the potentiometer clockwise.▶ Decrease sensitivity: turn the setting screw of the potentiometer anti-clockwise.
---	--

7 Operation

- ▶ Check whether the unit operates correctly.
- > The green LED is lit when the supply voltage is applied and there is sufficient excess gain.
- > Dark-on mode: the output is switched / the yellow LED is lit when an object is detected.
- > Light-on mode: the output is switched / the yellow LED is lit when no object is detected.

8 Maintenance, repair, disposal

- ▶ Keep the lens of the sensor free from soiling.
- ▶ For cleaning do not use any solvents or cleaning agents which could damage the plastic parts.
- ▶ After use dispose of the unit in an environmentally friendly way in accordance with the applicable national regulations.

Faulty sensors must only be repaired by the manufacturer.

Technical data and further information at www.ifm.com