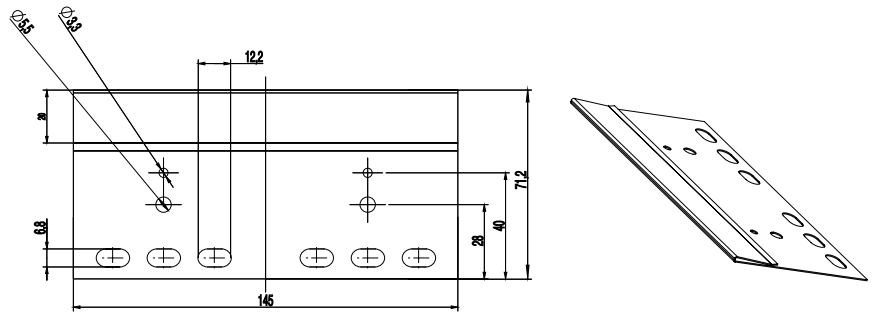




## Dimensions



## Model Number

**WCS3-CS70-E**

WCS3 code rail extender

## Function

The WCS3 code rail extender allows you to extend the code rail to a total length of up to 628 m.

Use the WCS3 code rail extender only for straight track sections and with WCS3 read heads that have the "Extended" option.

## Matching system components

### WCS3-CS70-M1

Code rail, stainless steel

### WCS3-CS70-L1

Code rail, polyester laminate

### WCS3B-LS221ES

Read head, RS-485 interface, with RS-485 termination resistor

## Technical data

### Ambient conditions

Ambient temperature -40 ... 100 °C (-40 ... 212 °F)

### Mechanical specifications

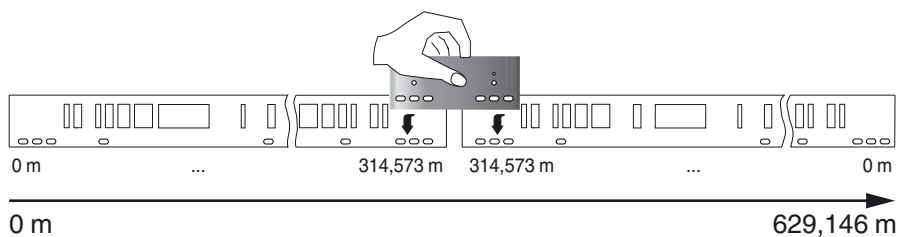
Material thickness 2 mm

Material Metal sheet (steel), zinc-plated

Mass 710 g

The code rail extension is always located at the end position 314,573 m to 314,573 m!

The first code rail segment always begins at 0 m and ends at 314,573 m.



### Attention!

Use of reader WCS3B-LS\*ES is a prerequisite for extending the code rail.