



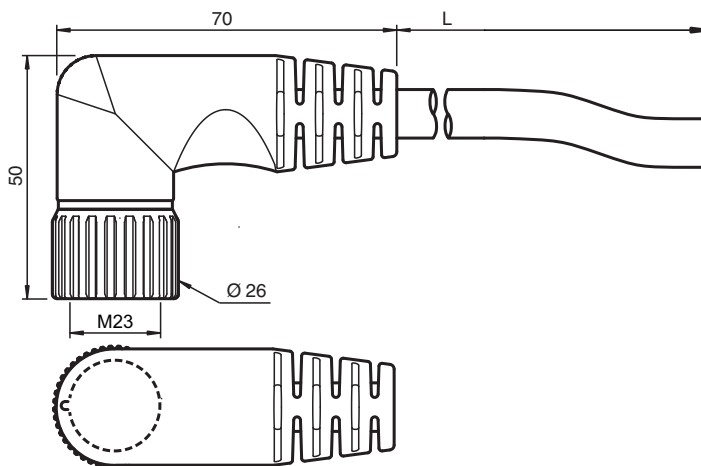
## Female connector V23-19-W-10M-PUR

- Sturdy design
- Plastic-coated
- Oil resistant

Female cordset, M23, 19-pin, PUR cable



### Dimensions



### Technical Data

#### General specifications

Connector 1	
Connection	socket
Construction type	M23
Style	right angle
Locking	screw connection
Number of pins	19
Coding	A-coded
Connector 2	
Connection	cable end

#### Electrical specifications

Operating voltage	$U_B$	max. 48 V AC / 60 V DC
Operating current	$I_B$	12 A

#### Ambient conditions

Ambient temperature	
Plug connector	-40 ... 125 °C (-40 ... 257 °F)
Cable, fixed	-30 ... 70 °C (-22 ... 158 °F)

Release date: 2020-10-07 Date of issue: 2020-10-07 Filename: 206858\_eng.pdf

Refer to "General Notes Relating to Pepperl+Fuchs Product Information".

Pepperl+Fuchs Group  
www.pepperl-fuchs.com

USA: +1 330 486 0001  
fa-info@us.pepperl-fuchs.com

Germany: +49 621 776 1111  
fa-info@de.pepperl-fuchs.com

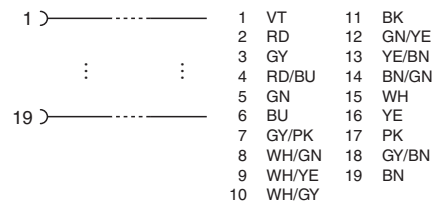
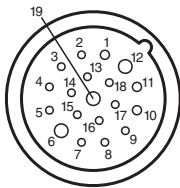
Singapore: +65 6779 9091  
fa-info@sg.pepperl-fuchs.com

**PF** PEPPERL+FUCHS

**Technical Data**

Cable, flexing	-5 ... 70 °C (23 ... 158 °F)	
Pollution degree	2	
<b>Mechanical specifications</b>		
Plug connector		
Mating cycles	50	
Degree of protection	IP68	
Cable		
Sheath diameter	Ø 11.6 mm	
Sheath color	black	
Cores	16 x 0.5 mm <sup>2</sup> and 3 x 1 mm <sup>2</sup>	
Length	L	10 m
<b>Material</b>		
Plug connector		
Body	PUR	
Seal	FPM	
Contact surface	Au	
Cable		
Sheathing	PUR	
Core insulation	PVC	

**Connection**



Release date: 2020-10-07 Date of issue: 2020-10-07 Filename: 206858\_eng.pdf