



Features

- Stainless steel coupling nut
- Gold-plated and machined contacts
- Degree of protection: IP67 / IP68 / IP69K

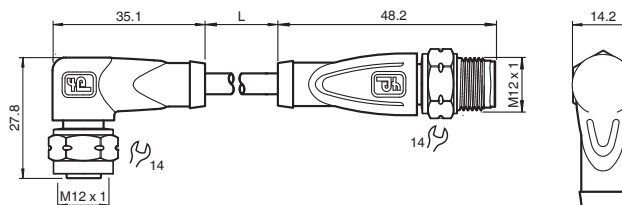
Technical data		V1*-WV4A-**M*-V1*-GV4A		
Number of pins		3	4	5
Electrical data				
Operating voltage U_b		Max. 250 V AC/DC		Max. 60 V AC/DC
Testing voltage		> 1500 V_{eff} AC		
Operating current		Max. 4 A		
Volume resistance		< 5 m Ω		
Ambient conditions				
Ambient temperature		-40 ... 90 °C for body Information on cable quality can be found beginning on page 10		
Degree of pollution		3		
Mechanical data				
Contact elements		Spring-loaded contact sockets		
Pin diameter		1 mm		
Degree of protection		IP67 / IP68 / IP69K		
Materials				
Contacts		CuSn / Au		
Contact surface		Au		
Body		TPU, black		
Coupling nut		Stainless steel AISI 316L		
Push-on sleeve		Stainless steel AISI 316L		
Approvals and certificates of compliance				
UL file number		E231213 The use of UL-approved cable is a prerequisite for UL approval.		

Sensor-actuator cable

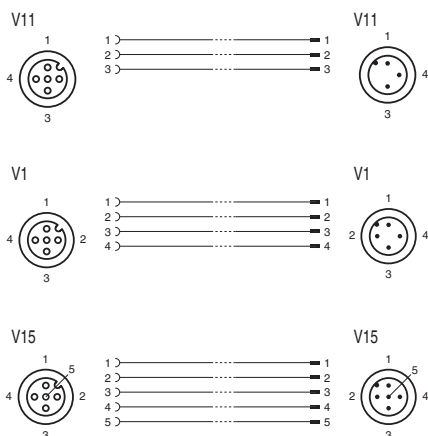
Field-attachable connectors

Junction blocks

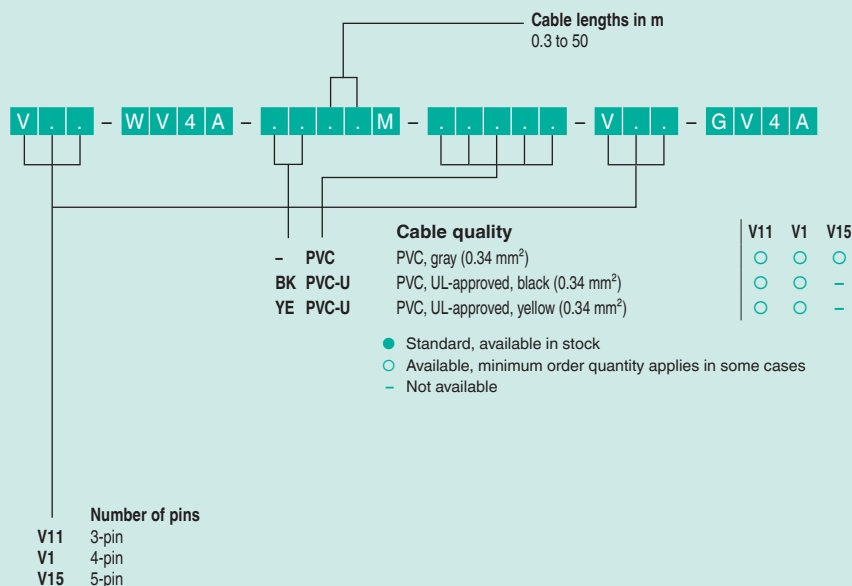
Dimensions



Electrical connection



Order codes



Sensor-actuator splitters

Sensor-actuator receptacles

Data connectors