



Model Number

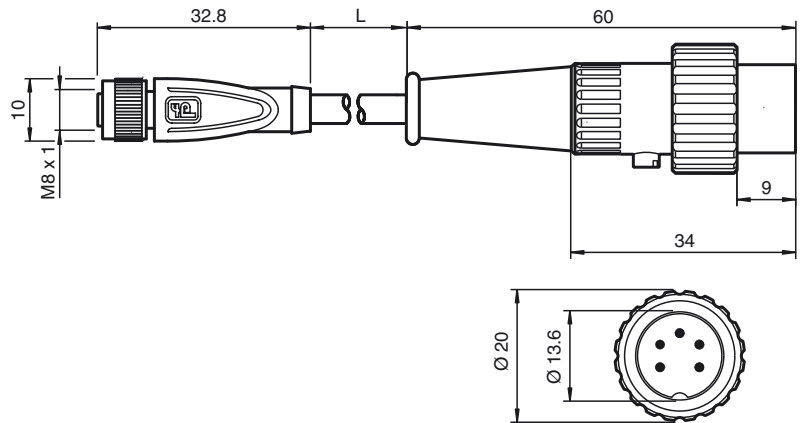
V31-GM-BK5M-PVC-U-PREH5-NPN

Female cordset, M8, 4-pin, PVC cable

Features

- UL Recognized Component
- Raw cable with cURus approval
- Knurled nut suitable for tool assembly
- Gold plated contacts

Dimensions



Technical data

General specifications

Number of pins	4
UL File Number	E231213

Electrical specifications

Operating voltage	U_B	max. 30 V DC
Test voltage		> 1500 V _{eff} AC
Operating current	I_B	max. 4 A
Volume resistance		< 5 mΩ

Ambient conditions

Ambient temperature	cable, fixed: -25 ... 80 °C (-13 ... 176 °F) cable, flexing: -5 ... 80 °C (23 ... 176 °F)
Pollution degree	3

Mechanical specifications

Contact elements	spring-loaded contact socket
Pin diameter	1 mm
Degree of protection	IP67
Material	
Contacts	CuSn / Au
Contact surface	Au
Body	TPU, black
Cable	PVC
Slotted nut	Diecast zinc
Core insulation	PVC
Cable	fine-strand, flexible
Sheath diameter	Ø 4.3 mm
Bending radius	> 15 x cable diameter, moving > 5 x cable diameter, fixed
Color	black
Number of cores	4
Core cross-section	0.34 mm ²
Conductor construction	19 x 0.15 mm Ø
Length	L 5 m

Compliance with standards and directives

Standard conformity	
Degree of protection	EN 60529:2000
Standards	IEC 61076-2-104:2008
Flammability	Grip: UL 94

Approvals and certificates

UL approval	cURus AWM 2095 AWM I/II A/B 80°C 300V FT1 (cable)
-------------	---

Electrical connection

