



Model Number

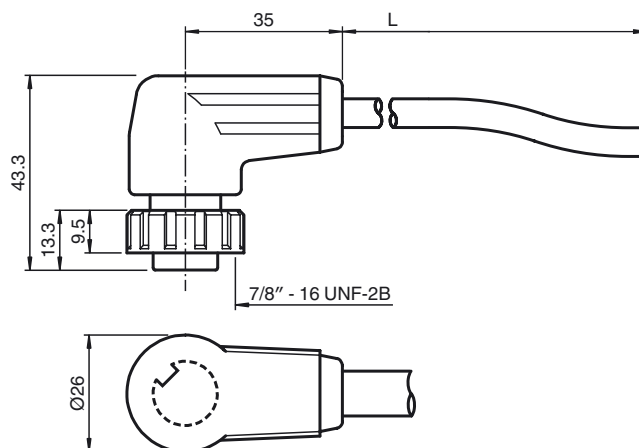
V95-W-5M-PVC

Female cordset, 7/8", 5-pin, PVC cable

Features

- Self-locking threaded joint

Dimensions



Technical data

General specifications

| | |
|----------------|---|
| Number of pins | 5 |
|----------------|---|

Electrical specifications

| | | |
|-------------------|-------|------------------|
| Operating voltage | U_B | max. 250 V AC/DC |
| Operating current | I_B | max. 9 A |
| Volume resistance | | < 5 m Ω |

Ambient conditions

| | |
|---------------------|--|
| Ambient temperature | 5 ... 90 °C (41 ... 194 °F) active -40 ... 90 °C (-40 ... 194 °F) fixed |
| Pollution Degree | 3 |

Mechanical specifications

| | |
|----------------------|------------------------|
| Degree of protection | IP68 (2 hrs at 10 bar) |
|----------------------|------------------------|

Material

| | |
|-----------------|---------------------|
| Contacts | CuZn, silver-plated |
| Contact surface | Au |
| Body | TPU, orange |
| Cable | PVC |
| Slotted nut | PA |

Cable

| | |
|-----------------|--|
| Sheath diameter | \varnothing 6.8 mm |
| Bending radius | > 5 x cable diameter, fixed > 10 x cable diameter, moving |

| | |
|------------------------|---------------------------|
| Color | orange |
| Cores | 5 x 0.5 mm ² |
| Conductor construction | 16 x 0.2 mm \varnothing |
| Length | L 5 m |

Electrical connection

