

Sensor-actuator cable



Field-attachable connectors

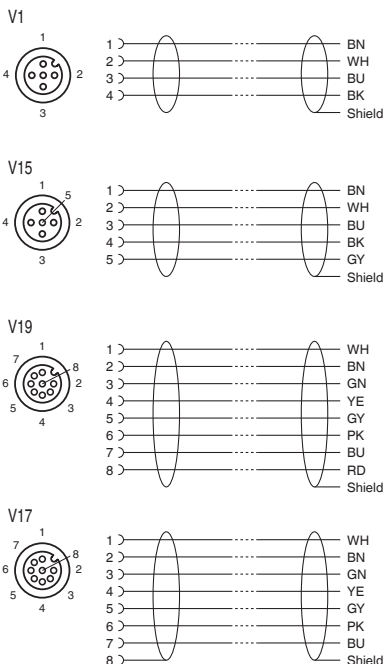
Features

- Knurled nut suitable for tool mounting
- Mechanical detent for vibration protection
- Gold-plated and machined contacts

Junction blocks

Sensor-actuator splitters

Electrical connection

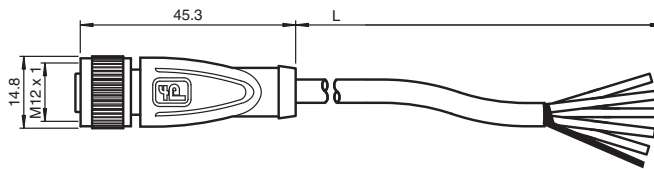


Sensor-actuator receptacles

Data connectors

Technical data				
Number of pins	4	5	8	7 + 1 x shield
Electrical data				
Operating voltage U_B	Max. 250 V AC/DC	Max. 60 V AC/DC	Max. 30 V AC/DC	
Operating current	Max. 4 A		Max. 2 A	
Volume resistance	< 5 mΩ			
Ambient conditions				
Ambient temperature	-40 ... 90 °C for body Information on cable quality can be found beginning on page 10			
Degree of pollution	3			
Mechanical data				
Contact elements	Spring-loaded contact sockets			
Degree of protection	IP67			
Material				
Contacts	CuSn / Au			
Contact surface	Au			
Body	TPU, black			
Coupling nut	Die-cast zinc			
Shield	Braided			

Dimensions



Order codes

Cable lengths in m
0.3 to 50

Cable quality

- PUR-ABG	PUR, halogen-free, shielded, gray (0.34 mm ²)	V1	V15	V19	V17
BK PUR-U/ABG	PUR, halogen-free, shielded, UL-approved, black (0.25mm ²)	●	●	-	-
		-	-	●	●

● Standard, cable lengths of 2 m, 5 m and 10 m available in stock
○ Available, minimum order quantity applies in some cases
- Not available

Number of pins

V1 4-pin
V15 5-pin
V19 8-pin
V17 7-pin + 1 x shield

Order code structure: V . . - G - . . . M -