



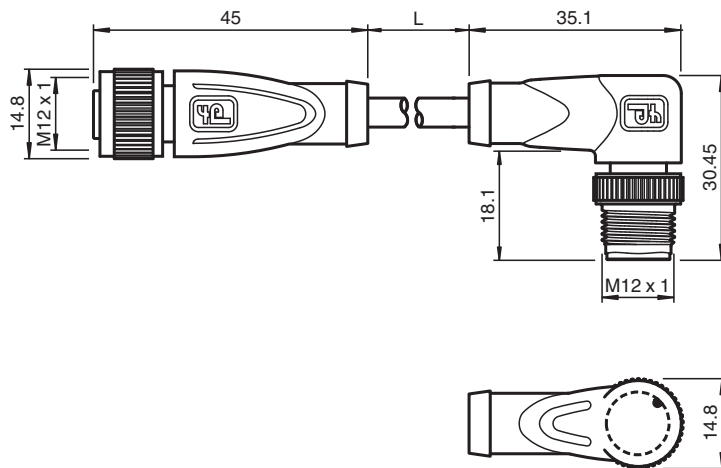
## Connection cable V15-G-0,6M-PUR-V15-W

- Degree of protection IP67 / IP68 / IP69
- Resistant to microbes and hydrolysis
- Halogen-free
- Knurled nut suitable for tool assembly
- Immunity to vibration, with mechanical latching

Cordset M12 socket straight to M12 plug angled A-coded, 5-pin, PUR cable grey



### Dimensions



### Technical Data

#### General specifications

|                    |                  |
|--------------------|------------------|
| <b>Connector 1</b> |                  |
| Connection         | socket           |
| Construction type  | M12              |
| Style              | straight         |
| Locking            | screw connection |
| Number of pins     | 5                |
| Coding             | A-coded          |
| <b>Connector 2</b> |                  |
| Connection         | Male connector   |
| Construction type  | M12              |
| Style              | right angle      |
| Locking            | screw connection |
| Number of pins     | 5                |
| Coding             | A-coded          |

#### Electrical specifications

|                   |       |                        |
|-------------------|-------|------------------------|
| Operating voltage | $U_B$ | max. 48 V AC / 60 V DC |
|-------------------|-------|------------------------|

Release date: 2020-10-23 Date of issue: 2020-10-23 Filename: 240778-100000\_eng.pdf

Refer to "General Notes Relating to Pepperl+Fuchs Product Information".

Pepperl+Fuchs Group  
www.pepperl-fuchs.com

USA: +1 330 486 0001  
fa-info@us.pepperl-fuchs.com

Germany: +49 621 776 1111  
fa-info@de.pepperl-fuchs.com

Singapore: +65 6779 9091  
fa-info@sg.pepperl-fuchs.com

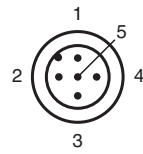
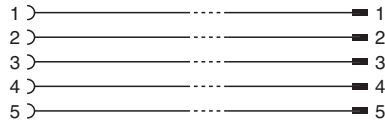
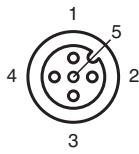
PEPPERL+FUCHS

## Technical Data

|                                  |       |   |
|----------------------------------|-------|---|
| Operating current                | $I_B$ | max. 4 A  |
| <b>Conformity</b>                |       |   |
| Degree of protection             |       | EN 60529  |
| Plug connection                  |       | connector M12 x 1 : IEC 61076-2-101   |
| Halogen-free                     |       | IEC 60754-1   |
| <b>Ambient conditions</b>        |       |   |
| Ambient temperature              |       |   |
| Plug connector                   |       | -40 ... 90 °C (-40 ... 194 °F)  |
| Cable, fixed                     |       | -40 ... 80 °C (-40 ... 176 °F)  |
| Cable, flexing                   |       | -25 ... 80 °C (-13 ... 176 °F)  |
| Pollution degree                 |       | 3   |
| <b>Mechanical specifications</b> |       |   |
| Plug connector                   |       |   |
| Tightening torque                |       | 0.6 Nm  |
| Loosening protection             |       | available   |
| Tool installation                |       | straight knurling   |
| Mating cycles                    |       | min. 100  |
| Degree of protection             |       | IP67 / IP68 / IP69  |
| Cable                            |       |   |
| Sheath diameter                  |       | 4.8 mm  |
| Bending radius                   |       | > 10 x cable diameter, moving<br>> 8 x cable diameter, fixed                    |
| Sheath stripping force           |       | max. 60 N / 500 mm  |
| Sheath color                     |       | grey (similar to RAL 7001)  |
| Number of cores                  |       | 5   |
| Core cross-section               |       | 0.34 mm <sup>2</sup>  |
| Cores color                      |       | Core 1: brown<br>Core 2: white<br>Core 3: blue<br>Core 4: black<br>Core 5: grey |
| Core construction                |       | 19 x 0.15 mm Ø  |
| Length                           | L     | 0.6 m   |
| Cable code                       |       | Li 9Y 11YM 5 x 0.34   |
| Drag chain suitability           |       |   |
| Drag chain cycles                |       | max. 50 / day   |
| Motion velocity                  |       | max. 0.3 m/s  |
| <b>Material</b>                  |       |   |
| Halogen-free                     |       | yes   |
| Plug connector                   |       |   |
| Knurled screw connection         |       | Zinc die-casting, nickel-plated   |
| Body                             |       | TPU, black  |
| Contact surface                  |       | Au  |
| Flammability                     |       | V-2   |
| Cable                            |       |   |
| Sheathing                        |       | PUR based on polyether  |
| Core insulation                  |       | PP  |
| Chemical resistance              |       | good  |
| Microbial resistance             |       | yes   |
| Hydrolysis resistance            |       | yes   |

Release date: 2020-10-23 Date of issue: 2020-10-23 Filename: 240778-100000\_eng.pdf

# Connection Assignment



Release date: 2020-10-23 Date of issue: 2020-10-23 Filename: 240778-100000\_eng.pdf

Refer to "General Notes Relating to Pepperl+Fuchs Product Information".

Pepperl+Fuchs Group  
www.pepperl-fuchs.com

USA: +1 330 486 0001  
fa-info@us.pepperl-fuchs.com

Germany: +49 621 776 1111  
fa-info@de.pepperl-fuchs.com

Singapore: +65 6779 9091  
fa-info@sg.pepperl-fuchs.com