



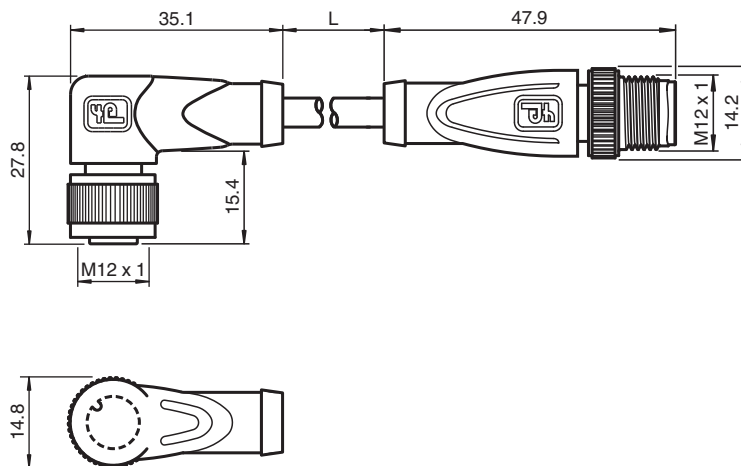
## Connection cable V15-W-E8-2M-PUR-V15-G

- Built-in LED, as operating and function indicator
- Degree of protection IP67 / IP68 / IP69
- Resistant to microbes and hydrolysis
- Halogen-free
- Knurled nut suitable for tool assembly
- Immunity to vibration, with mechanical latching

Cordset M12 socket angled A-coded LED 5-pin to M12 plug straight A-coded 5-pin, PUR cable grey



### Dimensions



### Technical Data

#### General specifications

|                                   |                   |
|-----------------------------------|-------------------|
| <b>Connector 1</b>                |                   |
| Connection                        | socket            |
| Construction type                 | M12               |
| Style                             | right angle       |
| Locking                           | screw connection  |
| Number of pins                    | 5                 |
| Coding                            | A-coded           |
| <b>Connector 2</b>                |                   |
| Connection                        | Male connector    |
| Construction type                 | M12               |
| Style                             | straight          |
| Locking                           | screw connection  |
| Number of pins                    | 5                 |
| Coding                            | A-coded           |
| <b>Indicators/operating means</b> |                   |
| LED green                         | Operating display |

Release date: 2020-10-24 Date of issue: 2020-10-24 Filename: 290595\_eng.pdf

Refer to "General Notes Relating to Pepperl+Fuchs Product Information".

Pepperl+Fuchs Group  
www.pepperl-fuchs.com

USA: +1 330 486 0001  
fa-info@us.pepperl-fuchs.com

Germany: +49 621 776 1111  
fa-info@de.pepperl-fuchs.com

Singapore: +65 6779 9091  
fa-info@sg.pepperl-fuchs.com

PEPPERL+FUCHS

## Technical Data

|                                  |                |   |
|----------------------------------|----------------|---|
| LED yellow                       |                | Functional display pin 4  |
| LED red                          |                | Functional display pin 2  |
| <b>Electrical specifications</b> |                |   |
| Operating voltage                | U <sub>B</sub> | max. 24 V DC -20 % / +25 %  |
| Operating current                | I <sub>B</sub> | max. 4 A  |
| <b>Conformity</b>                |                |   |
| Degree of protection             |                | EN 60529  |
| Plug connection                  |                | connector M12 x 1 : IEC 61076-2-101   |
| Halogen-free                     |                | IEC 60754-1   |
| <b>Ambient conditions</b>        |                |   |
| Ambient temperature              |                |   |
| Plug connector                   |                | -40 ... 90 °C (-40 ... 194 °F)  |
| Cable, fixed                     |                | -40 ... 80 °C (-40 ... 176 °F)  |
| Cable, flexing                   |                | -25 ... 80 °C (-13 ... 176 °F)  |
| Pollution degree                 |                | 3   |
| <b>Mechanical specifications</b> |                |   |
| Plug connector                   |                |   |
| Tightening torque                |                | 0.6 Nm  |
| Loosening protection             |                | available   |
| Tool installation                |                | straight knurling   |
| Mating cycles                    |                | min. 100  |
| Degree of protection             |                | IP67 / IP68 / IP69  |
| Cable                            |                |   |
| Sheath diameter                  |                | 4.8 mm  |
| Bending radius                   |                | > 10 x cable diameter, moving<br>> 8 x cable diameter, fixed                    |
| Sheath stripping force           |                | max. 60 N / 500 mm  |
| Sheath color                     |                | grey (similar to RAL 7001)  |
| Number of cores                  |                | 5   |
| Core cross-section               |                | 0.34 mm <sup>2</sup>  |
| Coors color                      |                | Core 1: brown<br>Core 2: white<br>Core 3: blue<br>Core 4: black<br>Core 5: grey |
| Core construction                |                | 19 x 0.15 mm Ø  |
| Length                           | L              | 2 m   |
| Cable code                       |                | Li 9Y 11YM 5 x 0.34   |
| Drag chain suitability           |                |   |
| Drag chain cycles                |                | max. 50 / day   |
| Motion velocity                  |                | max. 0.3 m/s  |
| <b>Material</b>                  |                |   |
| Halogen-free                     |                | yes   |
| Plug connector                   |                |   |
| Knurled screw connection         |                | Zinc die-casting, nickel-plated   |
| Body                             |                | TPU, transparent/black  |
| Contact surface                  |                | Au  |
| Flammability                     |                | V-2   |
| Cable                            |                |   |
| Sheathing                        |                | PUR based on polyether  |
| Core insulation                  |                | PP  |
| Chemical resistance              |                | good  |
| Microbial resistance             |                | yes   |
| Hydrolysis resistance            |                | yes   |

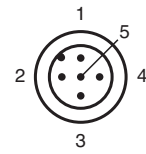
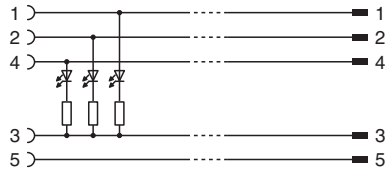
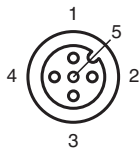
Release date: 2020-10-24 Date of issue: 2020-10-24 Filename: 290595\_eng.pdf

Refer to "General Notes Relating to Pepperl+Fuchs Product Information".

Pepperl+Fuchs Group  
www.pepperl-fuchs.comUSA: +1 330 486 0001  
fa-info@us.pepperl-fuchs.comGermany: +49 621 776 1111  
fa-info@de.pepperl-fuchs.comSingapore: +65 6779 9091  
fa-info@sg.pepperl-fuchs.com

**PEPPERL+FUCHS**

# Connection Assignment



Release date: 2020-10-24 Date of issue: 2020-10-24 Filename: 290595\_eng.pdf

Refer to "General Notes Relating to Pepperl+Fuchs Product Information".

Pepperl+Fuchs Group  
www.pepperl-fuchs.com

USA: +1 330 486 0001  
fa-info@us.pepperl-fuchs.com

Germany: +49 621 776 1111  
fa-info@de.pepperl-fuchs.com

Singapore: +65 6779 9091  
fa-info@sg.pepperl-fuchs.com