



### Model Number

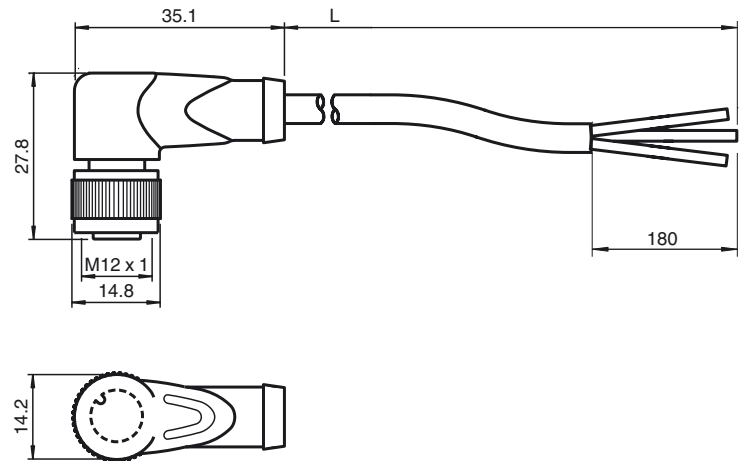
**V11-W-BK6,7M-PUR-O1-Y290688**

Single-ended female cordset, M12, 3-pin, PUR cable, outdoor

### Features

- Resistant to microbes and hydrolysis
- Resistant to salt water
- Suitable for outdoor use (UV- and ozone resistant)
- Oil and abrasion resistant PUR line appropriate for drag chains
- Knurled nut suitable for tool assembly
- Immunity to vibration, with mechanical latching
- Gold plated contacts
- Suitable for drag chains
- 180 mm stripped

### Dimensions



### Technical data

#### General specifications

Number of pins 3

#### Electrical specifications

Operating voltage  $U_B$  max. 250 V AC/DC

Operating current  $I_B$  max. 4 A

Contact resistance < 10 m $\Omega$

Lead resistance Max. 39  $\Omega$ /km

#### Ambient conditions

Ambient temperature Body: -50 ... 105 °C (-58 ... 221 °F)  
cable, fixed: -50 ... 105 °C (-58 ... 221 °F)  
cable, flexing: -30 ... 105 °C (-22 ... 221 °F)

Pollution degree 3

#### Mechanical specifications

Contact elements spring-loaded contact socket

Pin diameter 1 mm

Degree of protection IP67 / IP68 / IP69k

#### Material

Contacts CuSn / Au

Contact surface Au

Body TPU, black

Cable PUR

Slotted nut Diecast zinc

Core insulation PP

Cable extra-fine wire, flexible

Sheath diameter  $\varnothing$  4.5 mm  $\pm$  0.15 mm

Bending radius > 10 x cable diameter, moving  
> 5 x cable diameter, fixed

Color black (similar to RAL 7021)

Number of cores 4

Core cross-section 0.5 mm<sup>2</sup>

Conductor construction 28 x 0.15 mm  $\varnothing$   
1 x symmetrically twisted

Length L 6.7 m

#### Drag chain suitability

Drag chain cycles  $\geq$  2000000

Motion velocity  $\leq$  3 m/s

Traverse distance  $\leq$  10 m

Acceleration  $\leq$  10 m/s<sup>2</sup>

#### Flammability

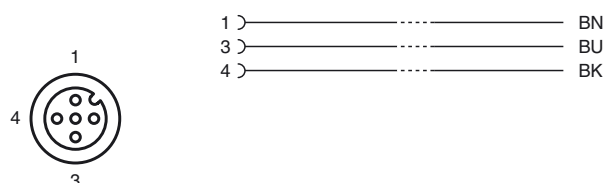
Contact carrier HB

Housing V-2

Cable cURus AWM 21924/11558 105°C 300V FT2

#### Compliance with standards and directives

### Electrical connection



**Standard conformity**

Degree of protection	EN 60529:2000
Standards	IEC 61076-2-101:2008
Flammability	Body: UL 94 Line: UL 1581 Section 1061; IEC 60332-1-2:2004
Halogen-free	DIN VDE 0472-815 DIN EN 50267-2-1
Chemical resistance	DIN EN 60811-2-1:2002

**Approvals and certificates**

UL approval	cURus AWM 21924/11558 105°C 300V FT2
Maximum permissible operating voltage	≤ 30 V
Maximum permissible ambient temperature	≤ 80 °C (≤ 176 °F)