



### Model Number

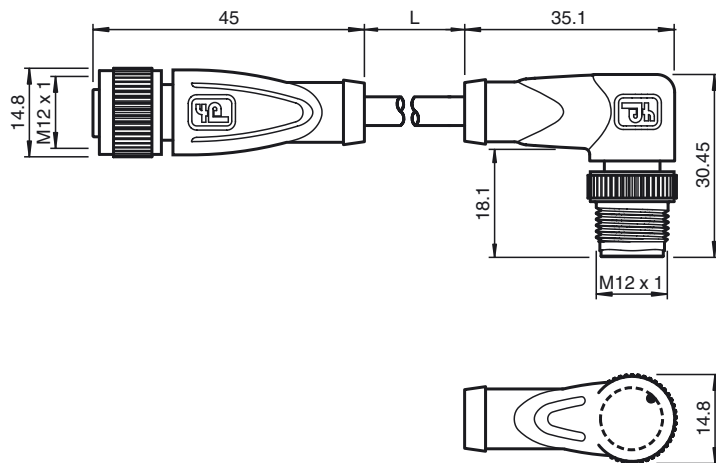
**V1-G-0,6M-PUR-V1-W**

Connection cable, M12 to M12, PUR cable, 4-pin

### Features

- Knurled nut suitable for tool assembly
- Immunity to vibration, with mechanical latching
- Gold-plated and machined contacts
- Degree of protection IP67 / IP68 / IP69K
- Halogen-free
- Suitable for 2-, 3- and 4-wire technology

### Dimensions



### Technical data

#### General specifications

|                |         |
|----------------|---------|
| Number of pins | 4       |
| UL File Number | E231213 |

#### Electrical specifications

|                   |       |                            |
|-------------------|-------|----------------------------|
| Operating voltage | $U_B$ | max. 300 V DC              |
| Test voltage      |       | > 1500 V <sub>eff</sub> AC |
| Operating current | $I_B$ | max. 4 A                   |
| Volume resistance |       | < 5 mΩ                     |

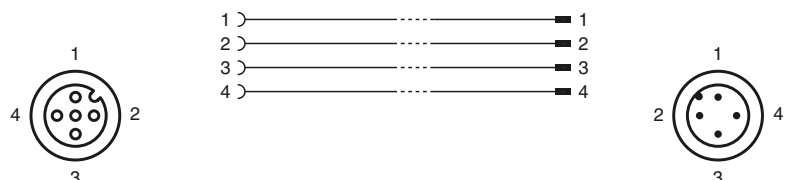
#### Ambient conditions

|                     |                                                                                                    |
|---------------------|----------------------------------------------------------------------------------------------------|
| Ambient temperature | -25 ... 100 °C (-13 ... 212 °F)<br>for temperatures over 80 °C (176 °F) reduced elongation at tear |
| Pollution degree    | 3                                                                                                  |

#### Mechanical specifications

|                        |                               |
|------------------------|-------------------------------|
| Contact elements       | spring-loaded contact socket  |
| Pin diameter           | 1 mm                          |
| Degree of protection   | IP67 / IP68 / IP69k           |
| <b>Material</b>        |                               |
| Contacts               | CuSn / Au                     |
| Contact surface        | Au                            |
| Body                   | TPU, green                    |
| Cable                  | PUR                           |
| Slotted nut            | Diecast zinc                  |
| Sleeve connector       | Diecast zinc                  |
| Core insulation        | PP                            |
| <b>Cable</b>           |                               |
| Cable                  | fine-strand, flexible         |
| Sheath diameter        | Ø4.8 mm                       |
| Bending radius         | > 10 x cable diameter, moving |
| Color                  | grey                          |
| Cores                  | 4 x 0.34 mm <sup>2</sup>      |
| Conductor construction | 19 x 0.15 mm Ø                |
| Length                 | L 0.6 m                       |
| <b>Flammability</b>    |                               |
| Contact carrier        | 94 V-2                        |
| Housing                | 94 V-2                        |

### Electrical connection



Release date: 2016-11-21 10:29 Date of issue: 2016-11-21 116489\_eng.xml

Refer to "General Notes Relating to Pepperl+Fuchs Product Information".