



**Model Number**

**RL29-55-V/115b/136**

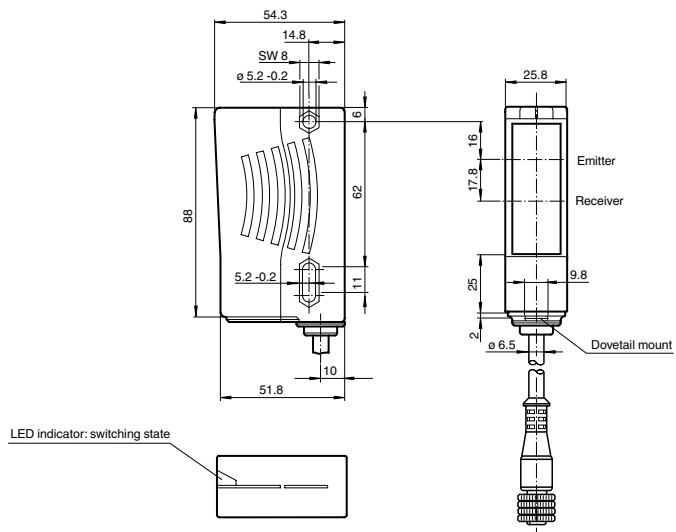
Retroreflective sensor

0.2 m fixed cable with 4-pin, M12 connector

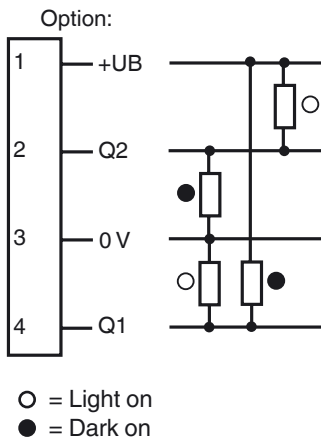
**Features**

- Foreground suppression, suited to recording of sheet-shrink-wrapped objects
- Highly visible LED
- Powerful push-pull output
- Optimal price/power ratio

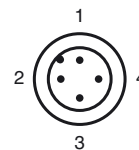
**Dimensions**



**Electrical connection**



**Pinout**



Release date: 2014-10-07 10:10 Date of issue: 2014-10-07 199414\_eng.xml

Refer to "General Notes Relating to Pepperl+Fuchs Product Information".

Pepperl+Fuchs Group  
www.pepperl-fuchs.com

USA: +1 330 486 0001  
fa-info@us.pepperl-fuchs.com

Germany: +49 621 776 4411  
fa-info@de.pepperl-fuchs.com

Singapore: +65 6779 9091  
fa-info@sg.pepperl-fuchs.com

**Technical data****General specifications**

Effective detection range	0.4 ... 6 m
Threshold detection range	8 m
Reference target	H85 reflector
Light source	LED, 660 nm
Light type	modulated visible red light
Polarization filter	yes
Diameter of the light spot	approx. 130 mm at a distance of 6 m
Angle of divergence	Emitter: 1.2 ° , Receiver: 2 °
Ambient light limit	80000 Lux

**Functional safety related parameters**

MTTF <sub>d</sub>	1982.2 a
Mission Time (T <sub>M</sub> )	20 a
Diagnostic Coverage (DC)	0 %

**Indicators/operating means**

Function indicator	LED yellow, light with free light beam , flashes when falling short of the stability control
--------------------	--

**Electrical specifications**

Operating voltage	U <sub>B</sub>	10 ... 30 V DC , class 2
Ripple		10 %
No-load supply current	I <sub>0</sub>	≤ 30 mA

**Output**

Switching type	dark on	
Signal output	2 push-pull (4 in 1) outputs, short-circuit protected, reverse polarity protected	
Switching voltage	max. 30 V DC	
Switching current	max. 100 mA	
Switching frequency	f	500 Hz
Response time		1 ms

**Ambient conditions**

Ambient temperature	-25 ... 60 °C (-13 ... 140 °F)
Storage temperature	-40 ... 75 °C (-40 ... 167 °F)

**Mechanical specifications**

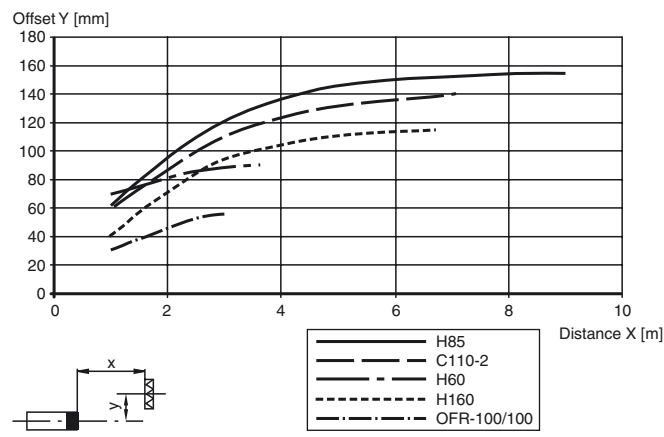
Degree of protection	IP65
Connection	0.2 m fixed cable with 4-pin, M12 connector
Material	
Housing	Plastic ABS
Optical face	plastic
Mass	90 g

**Compliance with standards and directives**

Directive conformity	
EMC Directive 2004/108/EC	EN 60947-5-2:2007

**Approvals and certificates**

UL approval	cULus Listed, Class 2 Power Source, Type 1 enclosure
CCC approval	CCC approval / marking not required for products rated ≤36 V
Approvals	CE, cULus Listed 57M3 (Only in association with UL Class 2 power supply; Type 1 enclosure)

**Curves/Diagrams****Characteristic response curve****Accessories****OMH-05**

Mounting aid for round steel ø 12 mm or sheet 1.5 mm ... 3 mm

**OMH-07**

Mounting aid for round steel ø 12 mm or sheet 1.5 mm ... 3 mm

**OMH-21**

Mounting bracket

**OMH-22**

Mounting bracket

**OMH-MLV11-K**

dove tail mounting clamp

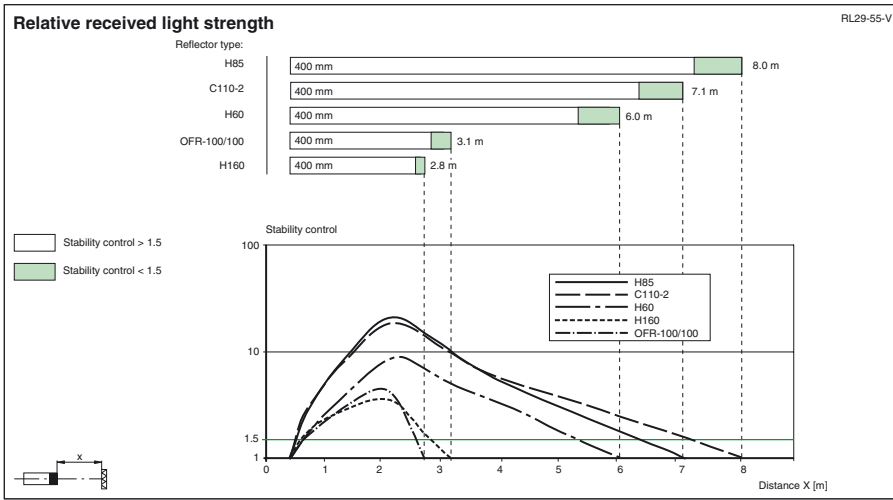
**OMH-RLK29-HW**

Mounting bracket for rear wall mounting

**OMH-RL28-C**

Weld slag cover model

Suitable reflectors and cable sockets can be found in the Internet



Release date: 2014-10-07 10:10 Date of issue: 2014-10-07 199414\_eng.xml

Refer to "General Notes Relating to Pepperl+Fuchs Product Information".

Pepperl+Fuchs Group  
www.pepperl-fuchs.com

USA: +1 330 486 0001  
fa-info@us.pepperl-fuchs.com

Germany: +49 621 776 4411  
fa-info@de.pepperl-fuchs.com

Singapore: +65 6779 9091  
fa-info@sg.pepperl-fuchs.com