

# Glass Fiber-Optic Cable

Reflex Mode

## 301-239-104

Part Number

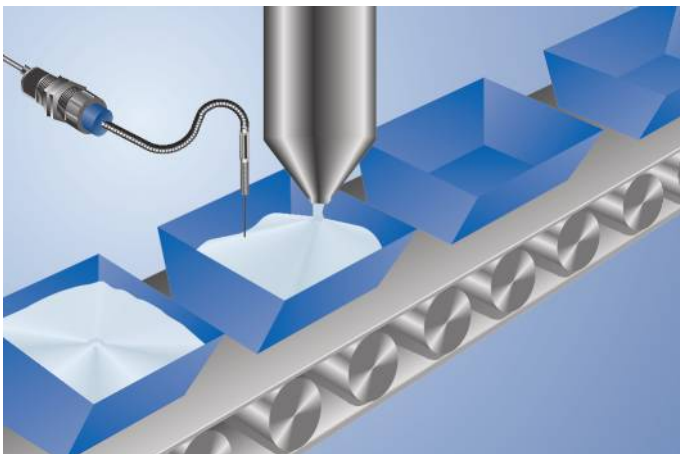


- A broad range of applications are possible due to the modular system design
- Stock types deliverable at short notice

### Technical Data

Optical Data	
Fiber Bundle Diameter	3 mm
Range with Sensor Type U_87__	810 mm
Range with Sensor Type U_88__	540 mm
Range with Sensor Type U_66__	270 mm
Range with Sensor Type U_55__	135 mm
Opening Angle	68 °
Fiber	Step Index
Fiber Diameter	50 μm
Fiber Distribution	separate fiber bundles
Mechanical Data	
Temperature Range	-25...180 °C
Bending Radius	70 mm
Fiber-Optic Length	1 m
Jacket Material	CuZn, nickel-plated
Material End Sleeve	Aluminum
End Sleeve No.	39
Light Emission	sidewise
Fiber-Optic Cable Adapter No.	01
Suitable Mounting Technology No.	180

Glass fiber optic cables are very flexible and can be used in applications with less space. Especially in applications with hot environment the metal casing fiber optic cables are the answer.



# Fiber Optic Cable Combination

## Choose your individual Glass Fiber Optic Cable

**1** First you have to choose the required range.  
If you cannot find a suitable range please change to another Fiber bundle diameter. The range depends on the length of the Fiber optic cable and the switching range of the chosen wenglor sensor.

**2** Choose the jacket and the endpoint.

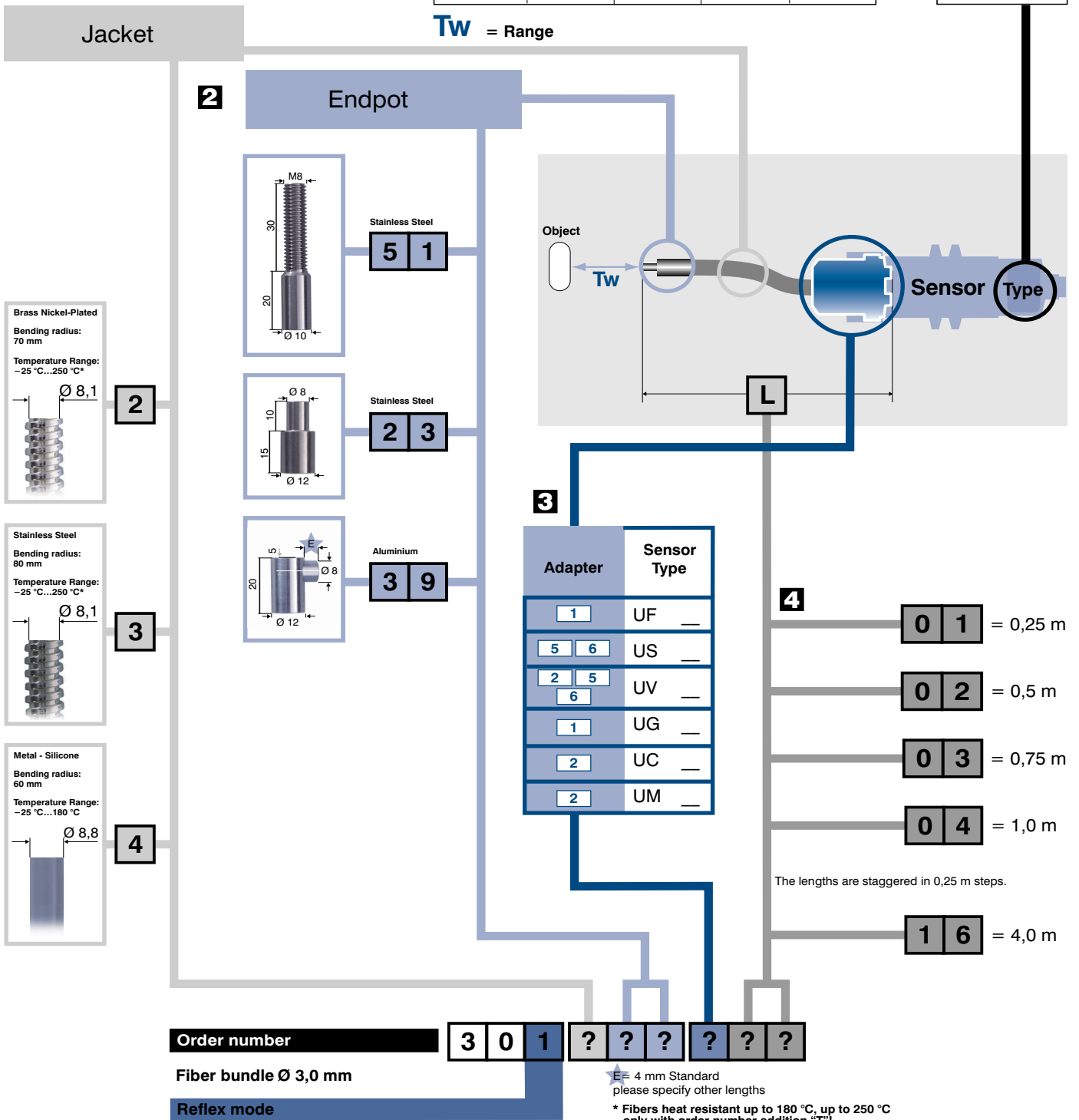
**3** Choose the right adapter for your wenglor sensor.

**4** Choose the length of the Fiber arm (in 0,25 m steps).

Fiber optic length				
4,0 m	3,0 m	2,0 m	1,0 m	0,5 m
600 mm	660 mm	720 mm	810 mm	1000 mm
400 mm	440 mm	480 mm	540 mm	670 mm
200 mm	220 mm	240 mm	270 mm	335 mm
100 mm	110 mm	120 mm	135 mm	165 mm

**1** Sensor Type

U_87	—
U_88	—
U_66	—
U_55	—



± 4 mm Standard  
please specify other lengths

\* Fibers heat resistant up to 180 °C, up to 250 °C only with order number addition "T"!