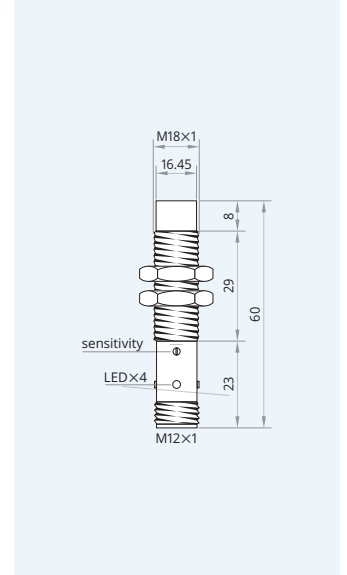


CS12-N10PO60-A12

Capacitive Proximity Switch 3-Wire DC Sensing range: *Extended*

Mind O≠0, I≠I≠1, S≠5, B≠8.

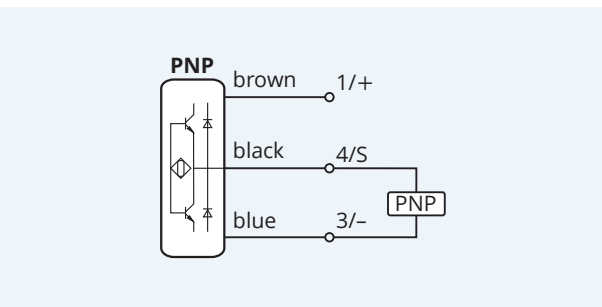
| | |
|-----------------------------|-----------------------------|
| Housing dimension | M12×1 |
| Mounting | non-flush |
| Sensing distance S_n | 10 mm |
| Operating voltage | 10...30 V _{DC} |
| Reverse polarity protection | built-in |
| Current consumption | <9 mA |
| Current load capability | 200 mA |
| Output function | normally open |
| Output polarity | PNP |
| Short circuit protection | built-in, self-resetting |
| Voltage drop | <2 V @ 200 mA |
| Switching frequency | 100 Hz |
| Adjustment | multi-turn potentiometer |
| Operating temperature | -20...+70 °C · -3...+159 °F |
| Protection class | IP67 |
| Sensing face material | PBT |
| Housing material | brass |
| Switching indicator | built-in |
| Connection | male connector M12 |
| Complies with | CE, RoHS |



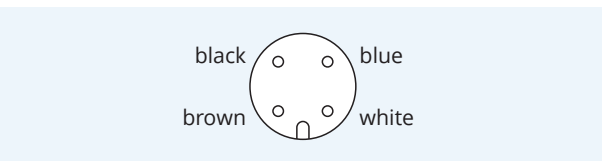
Warranty Our products are manufactured to stringent ISO 9001 European standards to ensure that our customers only receive the best quality.



Wiring diagram



Pinout



Caution! This device shall not be used if the safety of persons rely on its faultless function.

XECRO reserves the right to make minor changes without prior notification.