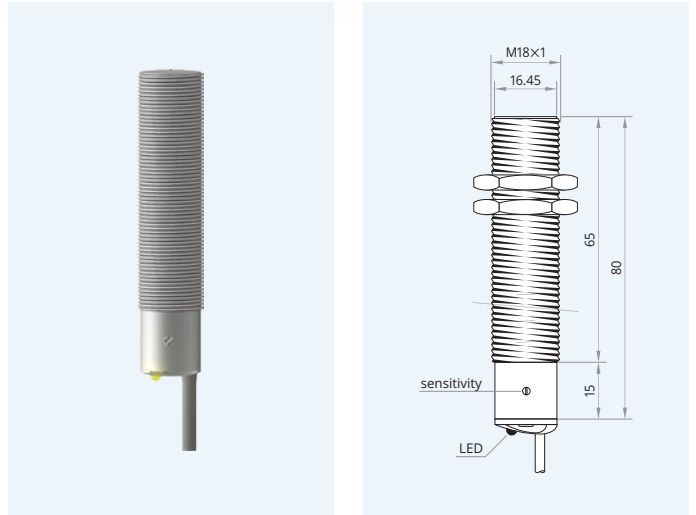


CS18-S8AC90P-A2P

Capacitive Proximity Switch 2-Wire AC Sensing range: *Increased*

Mind O≠0, I≠I≠1, S≠5, B≠8.

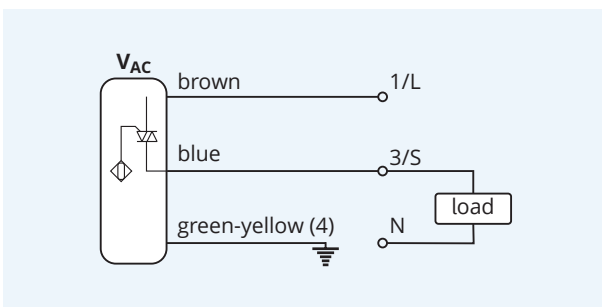
Housing dimension	M18×1
Mounting	flush
Sensing distance S_n	8 mm
Operating voltage	20...250 V _{AC}
Reverse polarity protection	not required
Current consumption	<3 mA
Current load capability	≈5 mA
Output function	normally closed
Voltage drop	<8 V @ 400 mA
Switching frequency	25 Hz
Adjustment	multi-turn potentiometer
Operating temperature	-20...+70 °C · -3...+159 °F
Protection class	IP67
Sensing face material	PBT
Housing material	PBT
Switching indicator	built-in
Connection	PVC, ultra-flex
Complies with	CE, RoHS



Warranty Our products are manufactured to stringent ISO 9001 European standards to ensure that our customers only receive the best quality.



Wiring diagram



Caution! This device shall not be used if the safety of persons rely on its faultless function.

XECRO reserves the right to make minor changes without prior notification.