

RFID Transponder

IQC37-30

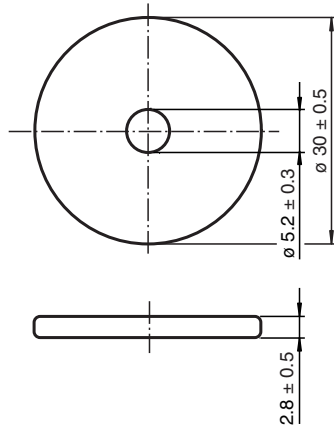


- Memory 8 kByte
- Degree of protection IP68

Data carrier



Dimensions



Technical Data

General specifications	
Operating frequency	13.56 MHz
Transfer rate	26 kBit/s
Memory	
Chip Type	FRAM MB89R112 (Fujitsu)
FRAM	8 kByte
UID	64 Bit
Memory organization	32 bytes/block
Read cycles	unlimited
Write cycles	unlimited
Data retention period	10 years
Directive conformity	
Radio equipment	
Directive 2014/53/EU	EN 300330
RoHS	
Directive 2011/65/EU (RoHS)	IEC/EN 63000
Standard conformity	

Release date: 2022-12-15 Date of issue: 2022-12-15 Filename: 262959_eng.pdf

Refer to "General Notes Relating to Pepperl+Fuchs Product Information".

Pepperl+Fuchs Group
www.pepperl-fuchs.com

USA: +1 330 486 0001
fa-info@us.pepperl-fuchs.com

Germany: +49 621 776 1111
fa-info@de.pepperl-fuchs.com

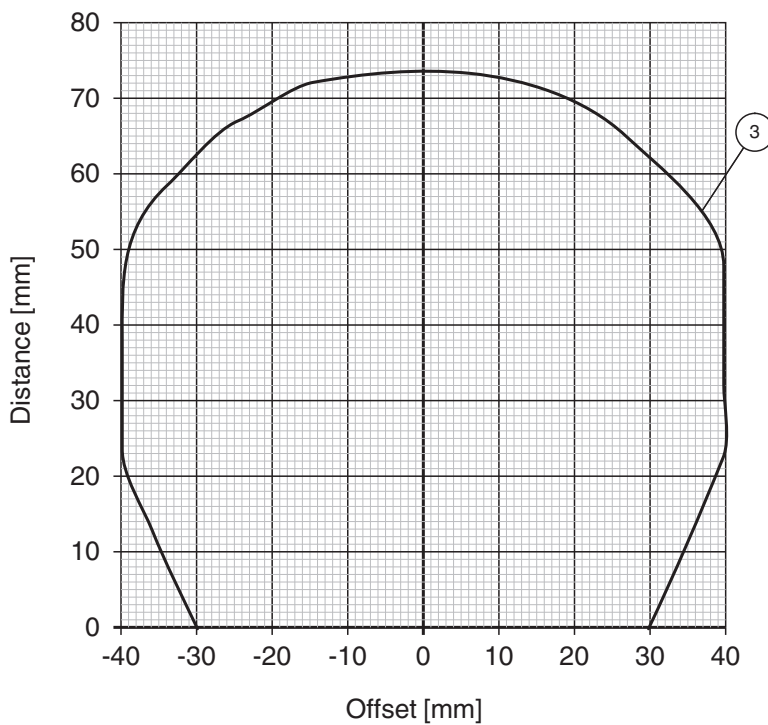
Singapore: +65 6779 9091
fa-info@sg.pepperl-fuchs.com

 PEPPERL+FUCHS

Technical Data

Degree of protection	EN 60529
RFID	ISO/IEC 15693-1 ISO/IEC 15693-2 ISO/IEC 15693-3 ISO/IEC 18000-3
Ambient conditions	
Ambient temperature	-20 ... 85 °C (-4 ... 185 °F)
Storage temperature	-40 ... 85 °C (-40 ... 185 °F)
Mechanical specifications	
Housing height	2.8 mm
Housing diameter	30 mm
Degree of protection	IP68 according to EN 60529
Material	
Housing	PA6T/6I-GF50
Installation	
In air	yes
Mass	3 g
Construction type	Cylindrical

Reading range in air IQC37-30



- ① IQH1-18GM-V1
- ② IQH1-F61-V1
- ③ IQH1-FP-V1
- ④ IQH1-F15-V1

Release date: 2022-12-15 Date of issue: 2022-12-15 Filename: 262959_eng.pdf

Refer to "General Notes Relating to Pepperl+Fuchs Product Information".

Mounting

The surface containing the text must face the read/write head.