

RFID Transponder

IPC03-54-T8

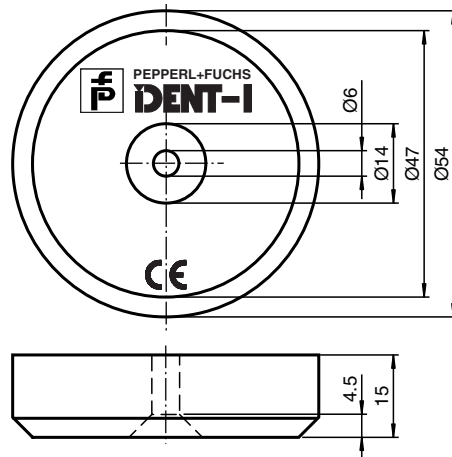


- Battery-free data carrier
- 32 bit fixcode
- 928 bits memory available
- Readable and writable from both sides
- With extended temperature range up to 120 °C (248 °F)
- Degree of protection IP67
- Mounting holes for simple installation

Data carrier



Dimensions



Technical Data

| General specifications | |
|-----------------------------|-----------------------------------|
| Operating frequency | 125 kHz |
| Transfer rate | 2 kBit/s |
| Distance | distance tables, see introduction |
| Memory | |
| Chip Type | EM4450 Titan (EM Microelectronic) |
| EEPROM | 928 Bit |
| Read cycles | unlimited |
| Write cycles | > 100000 |
| Data retention period | 10 years at 55 °C (131 °F) |
| Directive conformity | |
| Radio equipment | |
| Directive 2014/53/EU | EN 300330 |
| RoHS | |
| Directive 2011/65/EU (RoHS) | IEC/EN 63000 |
| Standard conformity | |
| Degree of protection | EN 60529 |

Release date: 2022-12-15 Date of issue: 2022-12-15 Filename: 122873_eng.pdf

Refer to "General Notes Relating to Pepperl+Fuchs Product Information".

Pepperl+Fuchs Group
www.pepperl-fuchs.com

USA: +1 330 486 0001
fa-info@us.pepperl-fuchs.com

Germany: +49 621 776 1111
fa-info@de.pepperl-fuchs.com

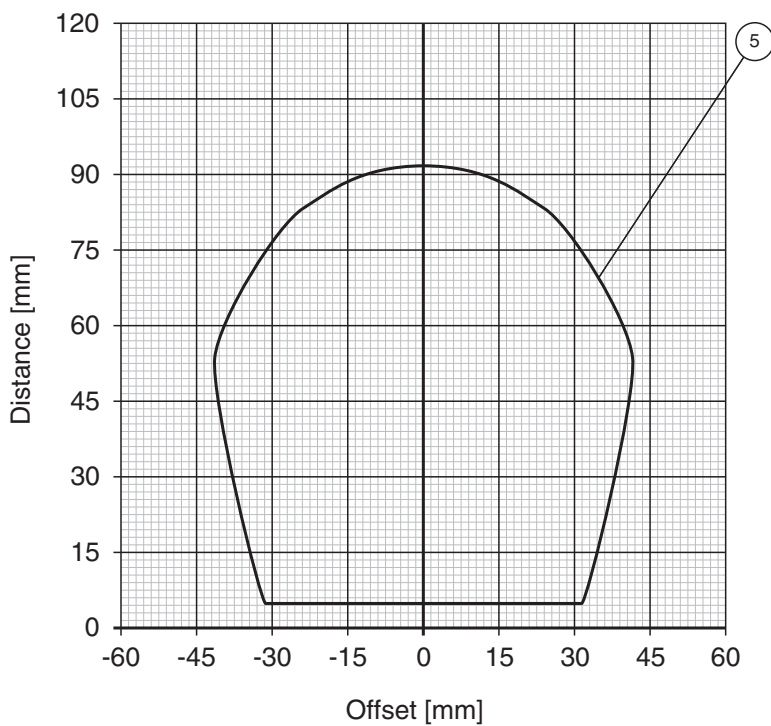
Singapore: +65 6779 9091
fa-info@sg.pepperl-fuchs.com

PEPPERL+FUCHS

Technical Data

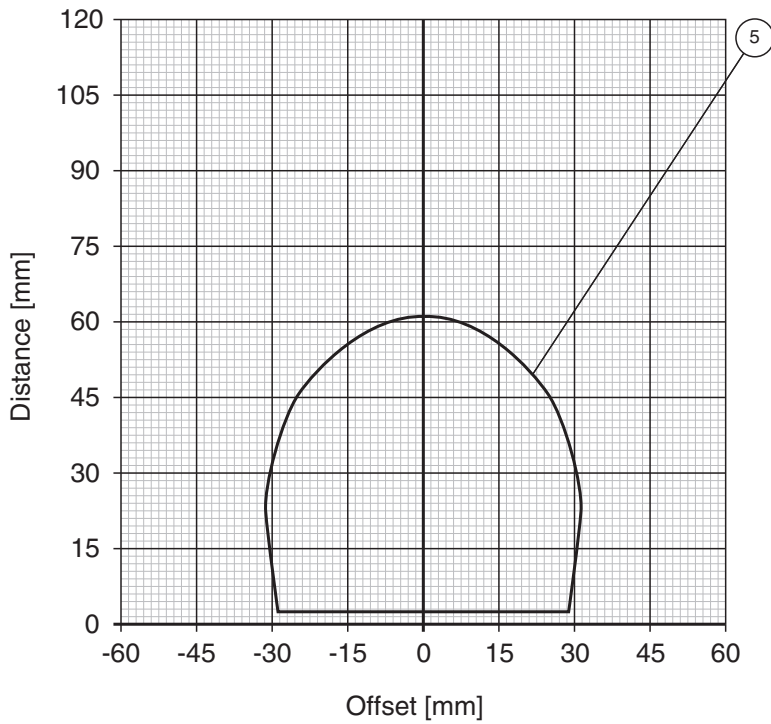
| | |
|----------------------------------|---------------------------------|
| RFID | ISO/IEC 18000-2 |
| Ambient conditions | |
| Ambient temperature | -40 ... 120 °C (-40 ... 248 °F) |
| Storage temperature | -40 ... 120 °C (-40 ... 248 °F) |
| Mechanical specifications | |
| Housing height | 15 mm |
| Housing diameter | 54 mm |
| Degree of protection | IP67 according to EN 60529 |
| Material | |
| Housing | Polyurethane (PUR) |
| Installation | |
| On metal | yes |
| In air | yes |
| Construction type | Cylindrical |

Reading range in air IPC03-54T8



Release date: 2022-12-15 Date of issue: 2022-12-15 Filename: 122873_eng.pdf

Reading range on steel IPC03-54T8



- ① IPH-18GM-V1
- ③ IPH-F61
- ⑤ IPH-FP-V1
- ⑦ IPT1-FP-V1
- ② IPH-30GM-V1
- ④ IPH-L2-V1
- ⑥ IPH-F15-V1

Release date: 2022-12-15 Date of issue: 2022-12-15 Filename: 122873_eng.pdf

Application

The transponder can be read and written from either side.