

Mounting aid

OMH-LS610-05

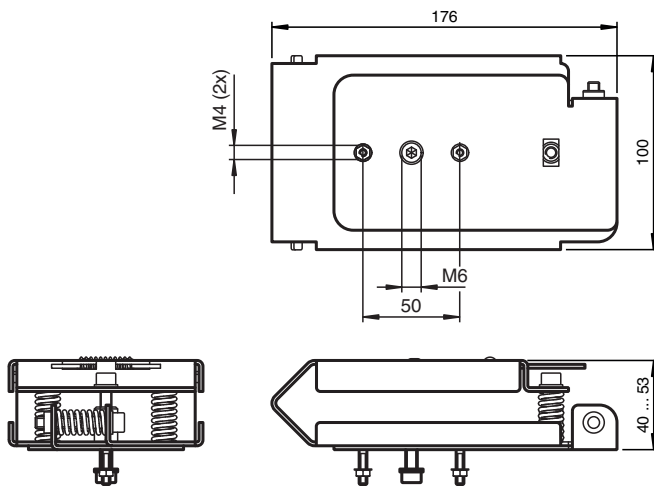


- Fixing with latching spring or latch fastener for easy installation
- Simple and fast mounting

Mounting bracket for optical data coupler and distance measurement devices



Dimensions



Technical Data

Mechanical specifications	
Material	Zinc plated steel , black
Mass	approx. 900 g
Suitable series	
Series	LS610 LS611 VDM100 LS680 , LS682

Release date: 2020-03-24 Date of issue: 2020-06-30 Filename: 324917_eng.pdf

Refer to "General Notes Relating to Pepperl+Fuchs Product Information".

Pepperl+Fuchs Group
www.pepperl-fuchs.com

USA: +1 330 486 0001
fa-info@us.pepperl-fuchs.com

Germany: +49 621 776 1111
fa-info@de.pepperl-fuchs.com

Singapore: +65 6779 9091
fa-info@sg.pepperl-fuchs.com

PF PEPPERL+FUCHS