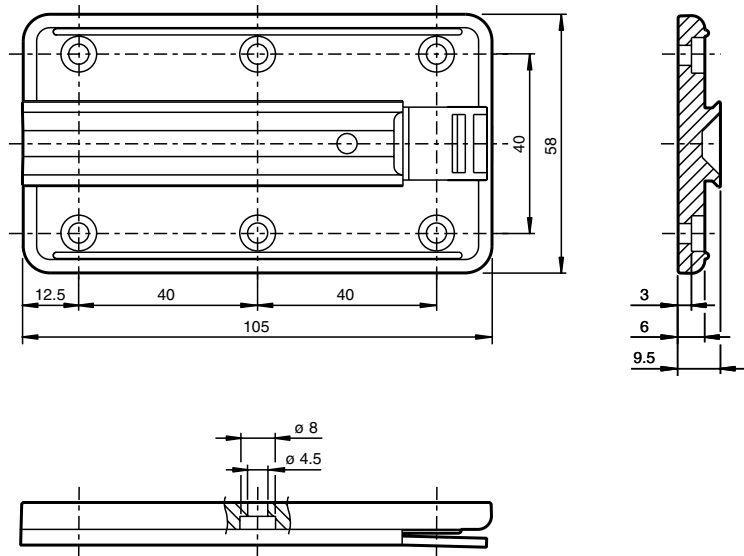




Dimensions



Model Number

WCS-MP1

Mounting plate for reading heads WCS2 and WCS3

Features

- Universal mounting plate for all reading heads WCS2... and WCS3...

Technical data

General specifications

Installation	Mounting plate with dovetail guide for WCS-write heads. Mounted via M4 screws.
--------------	---

Mechanical specifications

Material	PA 6 GF35 Grivory
Mass	35 g