

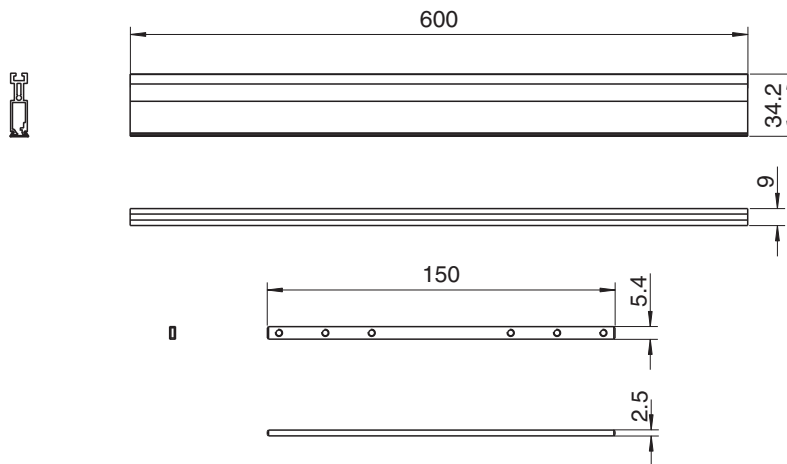
Mounting aid DGE Mounting Set AL2109 extension



- Mounting set for mechanical extension of the elevator light curtains AL2109
- Variety of possible uses in the areas of doors and elevators
- Simple and fast mounting

Mounting aid

Dimensions



Technical Data

Mechanical specifications

Housing length L	600 mm
Material	Aluminum housing
Mass	approx. 400 g
Mounting	Mounting accessories included
Suitable series	
Series TTA	AL21

Release date: 2020-07-24 Date of issue: 2020-07-24 Filename: 188002_eng.pdf

Refer to "General Notes Relating to Pepperl+Fuchs Product Information".

Pepperl+Fuchs Group
www.pepperl-fuchs.com

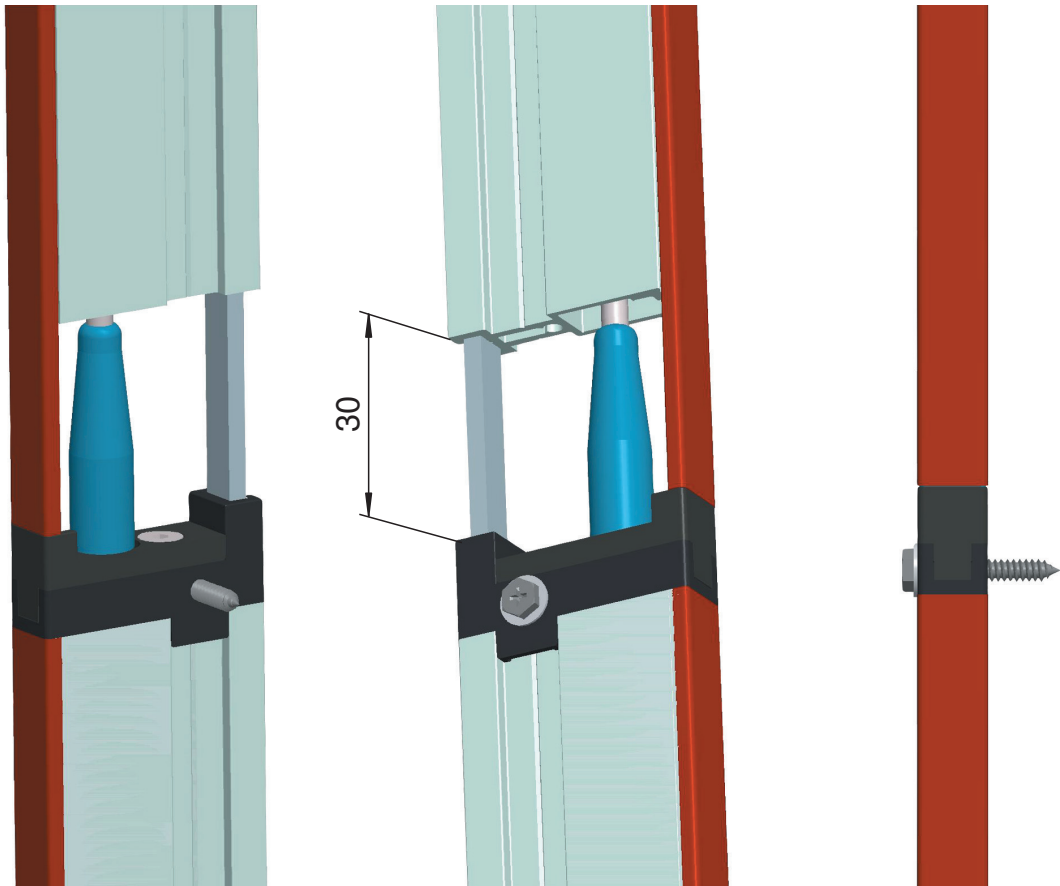
USA: +1 330 486 0001
fa-info@us.pepperl-fuchs.com

Germany: +49 621 776 1111
fa-info@de.pepperl-fuchs.com

Singapore: +65 6779 9091
fa-info@sg.pepperl-fuchs.com

PF PEPPERL+FUCHS

Mounting



Release date: 2020-07-24 Date of issue: 2020-07-24 Filename: 188002_eng.pdf

Refer to "General Notes Relating to Pepperl+Fuchs Product Information".

Pepperl+Fuchs Group
www.pepperl-fuchs.com

USA: +1 330 486 0001
fa-info@us.pepperl-fuchs.com

Germany: +49 621 776 1111
fa-info@de.pepperl-fuchs.com

Singapore: +65 6779 9091
fa-info@sg.pepperl-fuchs.com