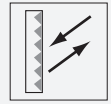


# Reflector with micro-structure

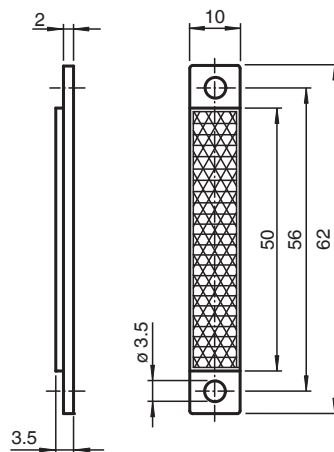
## REF-MH56



- Mounting holes for simple installation
- Micro-structure

Reflector with Micro-structure, rectangular 62 mm x 10 mm, mounting holes

### Dimensions



### Technical Data

General specifications	
Construction type	rectangular
Tripel height	approx. 1.2 mm
Ambient conditions	
Ambient temperature	-20 ... 85 °C (-4 ... 185 °F)
Mechanical specifications	
Material	PMMA/ABS
Dimensions	62 mm x 10 mm x 3.5 mm
Mounting	mounting holes

Release date: 2020-03-23 Date of issue: 2020-06-29 Filename: 113954\_eng.pdf

Refer to "General Notes Relating to Pepperl+Fuchs Product Information".

Pepperl+Fuchs Group  
www.pepperl-fuchs.com

USA: +1 330 486 0001  
fa-info@us.pepperl-fuchs.com

Germany: +49 621 776 1111  
fa-info@de.pepperl-fuchs.com

Singapore: +65 6779 9091  
fa-info@sg.pepperl-fuchs.com

**PF** PEPPERL+FUCHS