



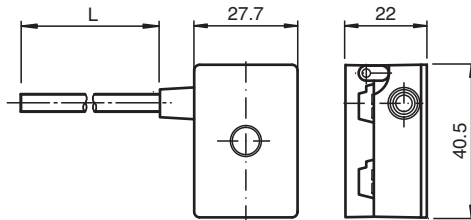
## AS-Interface splitter box VAZ-2T1-FK-G10-2M-PUR

- One piece housing
- Simple and fast mounting
- Gold-plated and machined contacts
- Oil and abrasion resistant PUR line appropriate for drag chains
- Immunity to vibration
- Degree of protection IP68 / IP69K
- Halogen-free

G10 junction block, AS-Interface and auxiliary power to open cable end



### Dimensions



### Technical Data

#### General specifications

Construction type	Open cable end AS-Interface flat cable terminals/external auxiliary power
UL File Number	E223772 "For use in NFPA 79 Applications only"

#### Electrical specifications

Rated operating voltage	$U_e$	$\leq 32$ V PELV ( AS-Interface , ext. auxiliary voltage AUX )
Rated operating current	$I_e$	$\leq 3$ A AS-Interface, $\leq 3$ A AUX
Protection class		III
Surge protection		overvoltage category III
Pulse withstand voltage		800 V

#### Compliance with standards and directives

Standard conformity	
Degree of protection	EN 60529:2000

#### Approvals and certificates

UL approval	cULus Listed, Type 1 enclosure
-------------	--------------------------------

#### Ambient conditions

Ambient temperature	-25 ... 75 °C (-13 ... 167 °F)
Storage temperature	-25 ... 85 °C (-13 ... 185 °F)

Release date: 2021-09-17 Date of issue: 2021-09-17 Filename: 250831\_eng.pdf

Refer to "General Notes Relating to Pepperl+Fuchs Product Information".

Pepperl+Fuchs Group  
www.pepperl-fuchs.com

USA: +1 330 486 0001  
fa-info@us.pepperl-fuchs.com

Germany: +49 621 776 1111  
fa-info@de.pepperl-fuchs.com

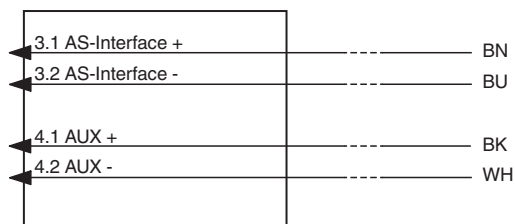
Singapore: +65 6779 9091  
fa-info@sg.pepperl-fuchs.com

PEPPERL+FUCHS

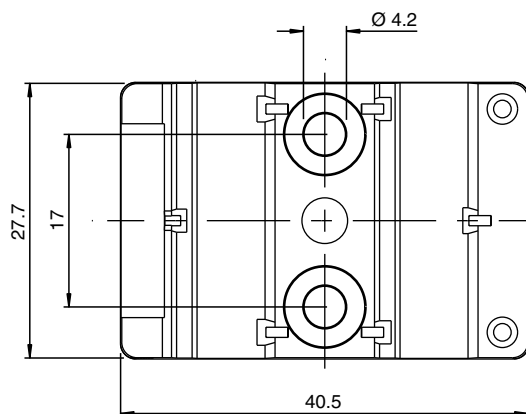
## Technical Data

Pollution degree	3	
<b>Mechanical specifications</b>		
Degree of protection	IP67 IP67 / IP68 / IP69K with flat cable VAZ-FK-S-*	
Connection	Flat cable AS-Interface: cable piercing method Flat cable ext. auxiliary voltage $U_{AUX}$ : Insulation penetration technology Round cable	
<b>Material</b>		
Contacts	CuSn / Au	
Housing	PBT PC	
Cable	PUR	
Mounting screw	Stainless steel 1.4305 / AISI 303	
<b>Cable</b>		
Sheath diameter	Ø4.8 mm	
Color	black	
Cores	4 x 0.5 mm <sup>2</sup>	
Length	L	2 m
Mass	100 g	
Tightening torque, fastening screws	1.65 Nm	

## Connection



## Mounting



You may screw the device onto a level mounting surface using two M4 attachment screws. The attachment screws are not included.