

Cable gland

CP-CGL-MS-5/16-M16 5pcs

- Suitable for 5/16" flexible metal conduit

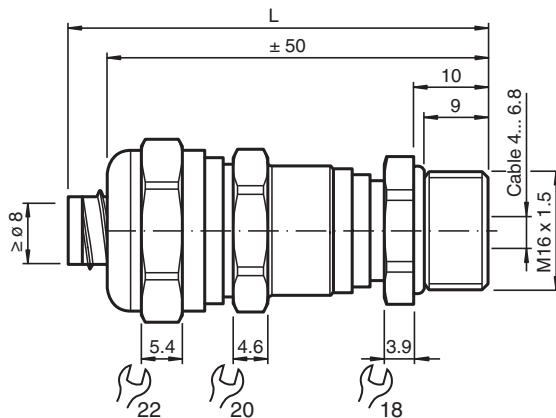


Cable gland M16 for cable diameter 4 ... 6.8 mm and 5/16" flexible metal conduit

Function

The cable gland is used in conjunction with a suitable flexible conduit and a suitable sensor adapter to form a cable protection system for sensors. The purpose of this system is to protect the sensor wiring in harsh environments.

Dimensions



Technical Data

Mechanical specifications

| | |
|----------------------|---|
| Clamping range (D) | |
| Seal insert | outer seal: for cable diameter 6 ... 6.8 mm outer seal + inner seal: for cable diameter 4 ... 6 mm |
| Thread type | metric |
| Thread size | M16 x 1.5 |
| Degree of protection | IP65 |
| Material | |
| Cable gland | brass, nickel-plated |
| Seal | Seal two-piece , synthetic rubber EDPM V0 |
| Clamping ring | brass, nickel-plated |
| O-Ring | NBR |

Release date: 2020-06-30 Date of issue: 2020-06-30 Filename: 307504_eng.pdf

Refer to "General Notes Relating to Pepperl+Fuchs Product Information".

Pepperl+Fuchs Group
www.pepperl-fuchs.com

USA: +1 330 486 0001
fa-info@us.pepperl-fuchs.com

Germany: +49 621 776 1111
fa-info@de.pepperl-fuchs.com






Singapore: +65 6779 9091
fa-info@sg.pepperl-fuchs.com

PF PEPPERL+FUCHS

Technical Data

| | |
|----------------------------|-------------------------------|
| Mass | 58 g |
| General information | |
| Supplementary information | observe mounting instructions |

Matching system components

| | | |
|---|-------------------------------------|---|
|  | CP-CDT-MS-5/16-10M | 5/16" flexible metal conduit 10 m |
|  | CP-ADP-MS-5/16-M18 5pcs | Sensor adapter for M18 sensors and 5/16" flexible metal conduit |
|  | CP-ADP-MS-5/16-M30 5pcs | Sensor adapter for M30 sensors and 5/16" flexible metal conduit |
|  | LOCKNUT M16 NICKEL BRASS | Nut, nickel-plated brass |
|  | LOCKNUT M8 NICKEL BRASS | Nut, nickel-plated brass |