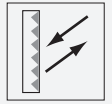


Reflector

REF-H100-2R

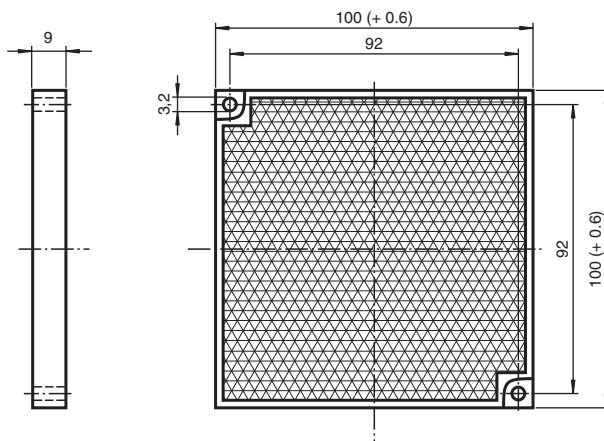


- Mounting holes for simple installation
- Two reflectors per packaged unit



Reflector, rectangular 100 mm x 100 mm, mounting holes

Dimensions



Technical Data

| | |
|----------------------------------|-------------------------------|
| General specifications | |
| Construction type | rectangular |
| Ambient conditions | |
| Ambient temperature | -20 ... 60 °C (-4 ... 140 °F) |
| Mechanical specifications | |
| Material | PMMA |
| Dimensions | 100 mm x 100 mm x 9 mm |
| Mounting | mounting holes |

Release date: 2020-03-23 Date of issue: 2020-06-29 Filename: 197280_eng.pdf

Refer to "General Notes Relating to Pepperl+Fuchs Product Information".

Pepperl+Fuchs Group
www.pepperl-fuchs.com

USA: +1 330 486 0001
fa-info@us.pepperl-fuchs.com

Germany: +49 621 776 1111
fa-info@de.pepperl-fuchs.com

Singapore: +65 6779 9091
fa-info@sg.pepperl-fuchs.com

PF PEPPERL+FUCHS