

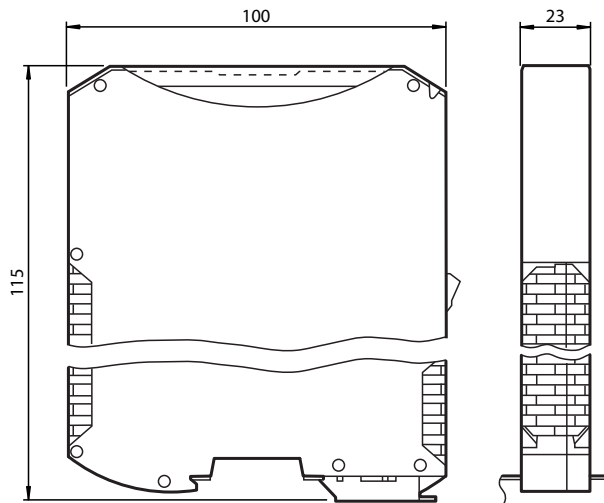
Interface module VLX-F231-B25

- Up to 4 read heads can be connected
- DIN rail mounting
- EtherNet/IP
- Integrated switch

Interface module with EtherNet/IP interface for SmartRunner



Dimensions



Technical Data

General specifications

Installation DIN rail mounting

Functional safety related parameters

MTTF_d 180 a

Mission Time (T_M) 10 a

Diagnostic Coverage (DC) 0 %

Electrical specifications

Operating voltage U_B 10 ... 30 V DC

Power consumption P₀ ≤ 3.6 W (without read heads)

Interface 1

Technical Data

Connection of	control system
Interface type	Ethernet
Protocol	EtherNet/IP
Transfer rate	10 MBit/s or 100 MBit/s
Data output format	binary code
Interface 2	
Connection of	control system
Interface type	Ethernet
Protocol	EtherNet/IP
Transfer rate	10 MBit/s or 100 MBit/s
Data output format	binary code
Interface 3	
Connection of	sensor
Interface type	RS485
Protocol	half duplex
Transfer rate	230 kBit/s
RS485 termination resistor	switchable
Refresh cycle of read head	1 ms
Standard conformity	
Emitted interference	EN 55011, cl. A: 2007
Noise immunity	EN 61000-6-2:2005
Approvals and certificates	
CCC approval	CCC approval / marking not required for products rated ≤36 V
Ambient conditions	
Operating temperature	-25 ... 85 °C (-13 ... 185 °F) , no moisture condensation
Storage temperature	-40 ... 85 °C (-40 ... 185 °F)
Relative humidity	≤ 80 %
Mechanical specifications	
Connection type	Interface 1 & 2: RJ-45 socket, 8-pin Interface 3: terminal connection ≤ 2.5 mm ² Interface 4: Terminal connection, 2-pin
Degree of protection	IP20
Material	plastic
Installation position	any position
Mass	approx. 140 g
Dimensions	
Width	23 mm
Depth	115 mm

Release date: 2024-01-03 Date of issue: 2024-01-03 Filename: 310758_eng.pdf

Refer to "General Notes Relating to Pepperl+Fuchs Product Information".

Pepperl+Fuchs Group
www.pepperl-fuchs.com

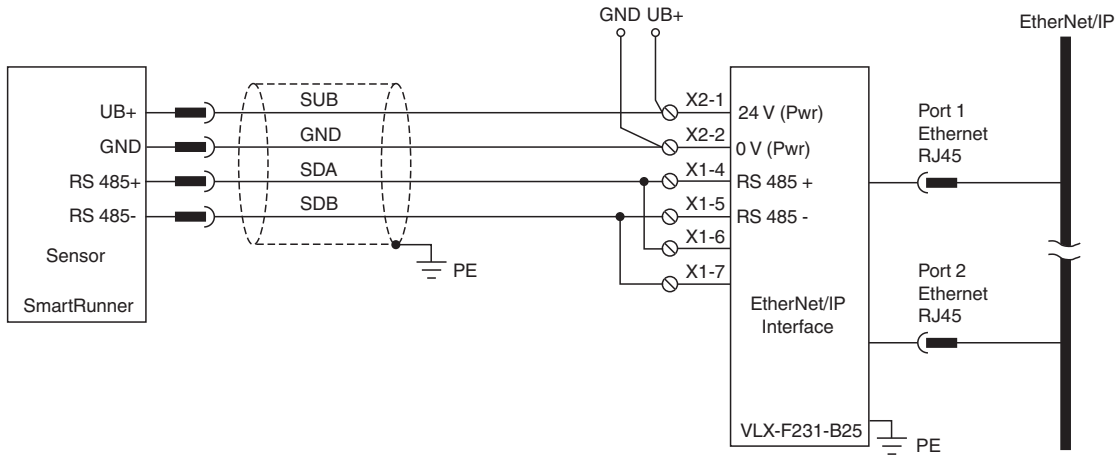
USA: +1 330 486 0001
fa-info@us.pepperl-fuchs.com

Germany: +49 621 776 1111
fa-info@de.pepperl-fuchs.com

Singapore: +65 6779 9091
fa-info@sg.pepperl-fuchs.com

 PEPPERL+FUCHS

Connection



Release date: 2024-01-03 Date of issue: 2024-01-03 Filename: 310758_eng.pdf