**Model Number****WCS-HP-R**

Read head protection

**Matching system components****WCS3R-LS221**

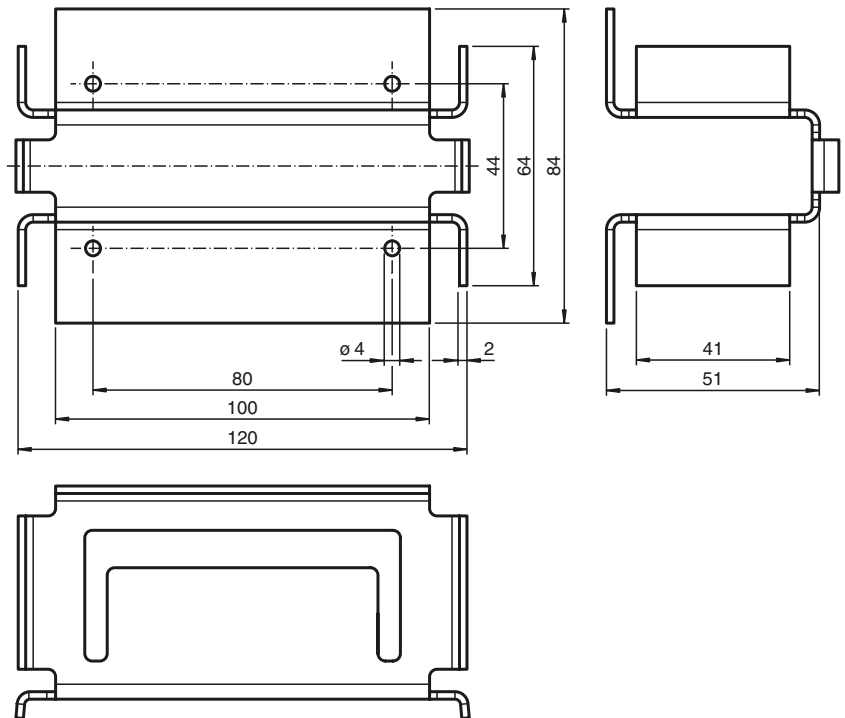
Reading head

**WCS3R-LS24A**

Reading head

**WCS3R-LS266**

Reading head

**Dimensions****Technical data****Ambient conditions**

Ambient temperature -40 ... 100 °C (-40 ... 212 °F)

**Mechanical specifications**

Material thickness 2 mm

Material Metal sheet (steel), zinc-plated

Mass 325 g