

Safety control unit module SB4 Module 4M/165

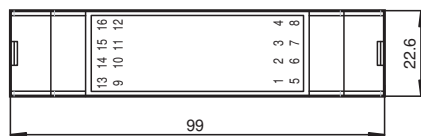
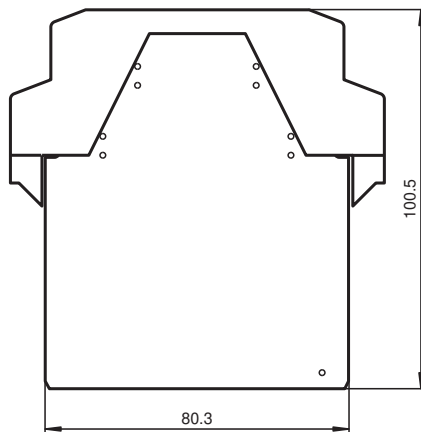


- Muting module
- 4 sensor channels
- Double muting
- Emergency muting for the correction of the material jam
- Operating mode can be selected by means of DIP switches
- Screw terminals or spring terminals

Safety control unit module



Dimensions



Technical Data

General specifications

Operating mode muting operating modes

Functional safety related parameters

Safety Integrity Level (SIL)	SIL 3
Performance level (PL)	PL e
Category	Cat. 4
Mission Time (T _M)	20 a
Type	4

Indicators/operating means

Release date: 2023-02-15 Date of issue: 2023-02-15 Filename: 206762_eng.pdf

Refer to "General Notes Relating to Pepperl+Fuchs Product Information".

Pepperl+Fuchs Group
www.pepperl-fuchs.com

USA: +1 330 486 0001
fa-info@us.pepperl-fuchs.com

Germany: +49 621 776 1111
fa-info@de.pepperl-fuchs.com

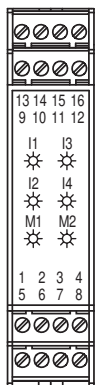
Singapore: +65 6779 9091
fa-info@sg.pepperl-fuchs.com

PF PEPPERL+FUCHS

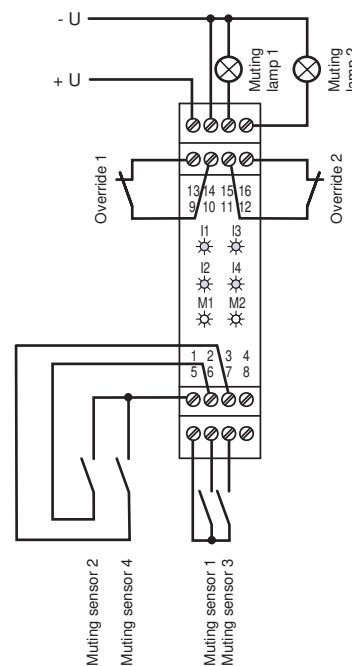
Technical Data

Function indicator	LED yellow (4x): indicator lamp muting sensor 1 ... 4 LED white (2x): status muting lamp	
Control elements	DIP switch	
Electrical specifications		
Operating voltage	U _B	24 V DC ± 20 % , 24 V DC ± 20 % , via SB4 Housing
Input		
Activation current	approx. 10 mA	
Activation time	Override-Input 0.4 ... 1.2 s	
Output		
Switching voltage	24 V	
Switching current	7.5 mA ... 500 mA	
Conformity		
Functional safety	ISO 13849-1 ; EN 61508 part1-4	
Product standard	EN 61496-1	
Approvals and certificates		
CE conformity	CE	
UL approval	cULus	
TÜV approval	TÜV	
Ambient conditions		
Ambient temperature	0 ... 50 °C (32 ... 122 °F)	
Storage temperature	-20 ... 70 °C (-4 ... 158 °F)	
Mechanical specifications		
Degree of protection	IP20	
Connection	Cage tension spring terminals , Cable cross-section 0.2 ... 1.5 mm ²	
Material		
Housing	Polyamide (PA)	
Mass	approx. 150 g	

Connection










Terminal	Function
1	24 V sensor supply
2	Sensor 2 IN
3	Sensor 4 IN
4	0 V sensor supply
5	24 V sensor supply
6	Sensor 1 IN
7	Sensor 3 IN
8	0 V sensor supply
9	Input override 1
10	24 V override 1
11	24 V override 2
12	Input override 2
13	+24 V DC supply voltage for muting lamps
14	0 V DC supply voltage for muting lamps
15	Output muting lamp 1
16	Output muting lamp 2



Release date: 2023-02-15 Date of issue: 2023-02-15 Filename: 206762_eng.pdf

Accessories

	SB4 Cape	cover sheet
	SB4 Housing 2	Empty housing for Evaluation unit SB4
	SB4 Housing 3	Empty housing for Evaluation unit SB4
	SB4 Housing 4	Empty housing for Evaluation unit SB4
	SB4 Housing 5	Empty housing for Evaluation unit SB4
	SB4 Housing 6	Empty housing for Evaluation unit SB4
	SB4 Housing 8	Empty housing for Evaluation unit SB4

Release date: 2023-02-15 Date of issue: 2023-02-15 Filename: 206762_eng.pdf

Refer to "General Notes Relating to Pepperl+Fuchs Product Information".

Pepperl+Fuchs Group
www.pepperl-fuchs.com

USA: +1 330 486 0001
fa-info@us.pepperl-fuchs.com

Germany: +49 621 776 1111
fa-info@de.pepperl-fuchs.com

Singapore: +65 6779 9091
fa-info@sg.pepperl-fuchs.com

This module can only be operated within an evaluation device of the SafeBox SB4 type.
The SafeBox instruction manual should be observed.

Function

The muting module realises the muting function for the sensor channels of the four to six channel sensor card module immediately to the right of the module.

The user must make sure to only connect sensors that can be muted to the sensor card that is assigned to the muting module. These are, for example, light barriers or light grids.



Emergency off push buttons must not be muted.

Muting sensors

Muting sensors are supposed to detect the muting objects. If an object is detected, the output of the muting sensor switches through its supply voltage. For this purpose, sensors with relay or pnp output are suitable. In a de-energised state, the output of the muting sensor must not be active. The sensor output should be capable of reliably switching a load current of 8 mA at 20 V. Muting sensors with a current consumption of a maximum of 30 mA can be supplied directly from the muting module. Sensors with a higher current consumption require an external power supply. Muting sensors must be selected such that they also work at a supply voltage of at least 12 V.

The cables to the muting sensors must be laid in such a way that no short circuits are possible between the muting sensors.

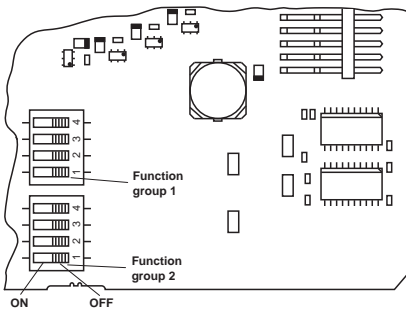
As muting sensors, the following sensors can be used, for example:

- Retro-reflective sensors dark on or light on (in this case reflector at the object),
- Photoelectric sensors (light on),
- Inductive sensors, mechanical switches.

Settings

The assembly contains 8 DIP switches for selecting the different muting operating modes. For selecting functions, 2 selector switches must always be actuated.

Position of the DIP switches



switch	Position	Operation type
1 Group 1 and 2	OFF	Muting lamp monitoring inactive
	ON	Muting lamp monitoring active
2 Group 1 and 2	OFF	Single muting
	ON	Double muting
3 Group 1 and 2	OFF	Time window-limited muting
	ON	Protection beam-limited muting
4 Group 1 and 2	OFF	Sequential muting
	ON	Parallel muting

Displays

The muting module has a yellow display for each muting sensor. For each muting lamp there is a white display.

If there is an error in the muting module, only the yellow displays on this assembly are flashing.

In the case of an error on the muting lamps, the white muting displays are flashing.

Display	LED	Meaning
I1 - I4	yellow	Continuous light: muting sensor activated
		Flashing (5 Hz). Muting sensor error
M1, M2	white	Continuous light: muting activated
		Flashing (5 Hz). Muting lamp error

Release date: 2023-02-15 Date of issue: 2023-02-15 Filename: 206762_eng.pdf

Release date: 2023-02-15 Date of issue: 2023-02-15 Filename: 206762_eng.pdf

Refer to "General Notes Relating to Pepperl+Fuchs Product Information".

Pepperl+Fuchs Group
www.pepperl-fuchs.com

USA: +1 330 486 0001
fa-info@us.pepperl-fuchs.com

Germany: +49 621 776 1111
fa-info@de.pepperl-fuchs.com

Singapore: +65 6779 9091
fa-info@sg.pepperl-fuchs.com