



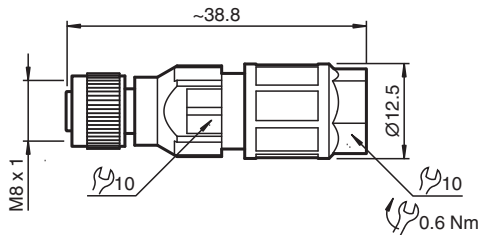
## Female connector, field-attachable V31-GM-Q4

- Insulation displacement connection
- Metal locking
- Knurled nut suitable for tool assembly
- cURus approval

Female connector M8 straight A-coded 4-pin, for cable diameter 2,5 - 5 mm, field-attachable, insulation displacement connection



### Dimensions



### Technical Data

General specifications			
Connector 1			
Connection		socket	
Construction type		M8	
Style		straight	
Locking		screw connection	
Number of pins		4	
Coding		A-coded	
Electrical specifications			
Operating voltage	$U_B$	max. 30 V AC/DC	
Operating current	$I_B$	max. 4 A	
Volume resistance		< 5 m $\Omega$	
Insulation resistance		min. 100 M $\Omega$	
Conformity			
Degree of protection		EN 60529	
Plug connection		connector M8 x 1 : IEC 61076-2-104	

Release date: 2023-06-01 Date of issue: 2023-06-01 Filename: 258192\_eng.pdf

Refer to "General Notes Relating to Pepperl+Fuchs Product Information".

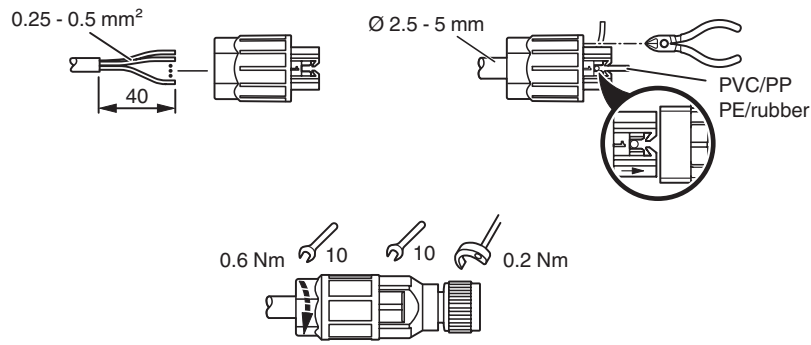
## Technical Data

Approvals and certificates		
UL approval		E191152
Maximum permissible operating voltage		max. 29 V
Ambient conditions		
Ambient temperature		-25 ... 80 °C (-13 ... 176 °F)
Pollution degree		3
Mechanical specifications		
Plug connector		
Tightening torque		0.2 Nm
Tool installation		straight knurling
Mating cycles		min. 100
Degree of protection		IP65/IP67
Connection		Insulation displacement connection for 0.25 ... 0.5 mm <sup>2</sup> / AWG 24 ... AWG 20
Cable		
Sheath diameter		2.5 ... 5 mm
Cores		Cross-section: 0.25 ... 0.5 mm <sup>2</sup>
Mass		6.5 g
Mounting		max. tightening torque on the coupling nut: ≤ 0.6 Nm
Material		
Plug connector		
Screw connection		Zinc diecast, nickel-plated
Body		PA 66, black
Seal		NBR
Contact surface		Ni/Au
Flammability		HB
Cable		
Core insulation		PVC/PE/PP



## Connection Assignment



**Connection**



**Accessories**

	<p><b>MH V3-SCREWDRIVER</b></p>	<p>Torque screwdriver (0.4 Nm)</p>
	<p><b>MH V3-BIT M8</b></p>	<p>plug-in cap for M8</p>

Release date: 2023-06-01 Date of issue: 2023-06-01 Filename: 258192\_eng.pdf