



PROFINET IO Gateway

ICDM-RX/PN-2DB9/RJ45-DIN

- DIN-rail mounting and DB9 connectors
- PROFINET IO: connect serial and Ethernet TCP/IP devices to PROFINET IO controllers and TCP/IP applications
- Web-based configuration
- RS-232/422/485 software selectable interfaces
- NEMA TS2 Certified

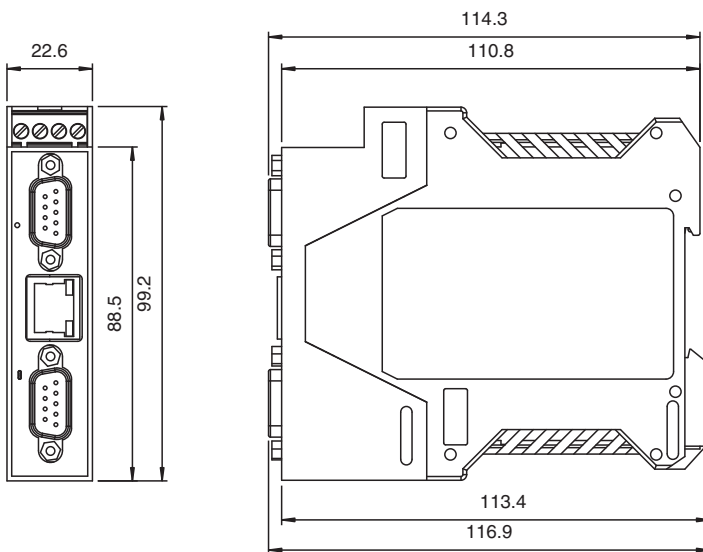
PROFINET IO Gateway 2-port DIN rail DB9



Function

The ICDM-RX/PN product family enables connection of serial devices (RS-232 / RS-422 / RS-485) or Ethernet TCP/IP devices to an Industrial PROFINET IO network. Highly advanced raw/ASCII device interface functionality simplifies PLC programming and ensures robust operation. These features greatly simplify connecting devices such as barcode scanners, RFID readers, weigh scales, vision systems, printers, encoders, and sensors to PLCs. The integrated webserver enables complete configuration of all module parameters like serial interface, baud rate, or delimiting characters. Products are available in different versions for DB9 or screw terminal connection.

Dimensions



Technical Data

General specifications

UL File Number E360395

Functional safety related parameters

MTBF 46.3 a

Indicators/operating means

LED indication see manual

Electrical specifications

Rated operating voltage U_e 5 ... 30 V DC

General information Redundant power

Nominal voltage 24 V DC

Release date: 2023-04-17 Date of issue: 2023-04-17 Filename: 70114028_eng.pdf

Refer to "General Notes Relating to Pepperl+Fuchs Product Information".

Pepperl+Fuchs Group
www.pepperl-fuchs.com

USA: +1 330 486 0001
fa-info@us.pepperl-fuchs.com

Germany: +49 621 776 1111
fa-info@de.pepperl-fuchs.com

Singapore: +65 6779 9091
fa-info@sg.pepperl-fuchs.com

PF PEPPERL+FUCHS

Technical Data

Interface	
Interface type	Software selectable interfaces: RS-232 , RS-422 , RS-485 (2 and 4-wire)
Physical	2 x DB9
Protocol	Raw serial
Supported baud rates	300 bps to 230Kbps
Interface 1	
Interface type	Industrial Ethernet
Physical	1 x RJ45
Protocol	PROFINET IO
Additional protocols	ARP, BOOTP, DHCP/RARP, HTTP, HTTPS, SSH, SSL/TLS, ICMP, RFC 1006 (ISO over TCP), SNMP (MIB-II), TCP/IP & UDP socket services, Telnet, and TFTP, and supports IP multicast data transmission
Transfer rate	10/100 Mbps
Directive conformity	
Electromagnetic compatibility	
Directive 2014/30/EU	EN 61000-6-2:2005 , EN 610006-4:2007 , EN 610006-4/A1:2011
RoHS	EN IEC 63000:2018
Standard conformity	
Degree of protection	NEMA TS2
Electrical safety	CSA C22.2 No. 60950 / UL60950
Emitted interference	EN 61000-6-4, EN 55032, FCC Part 15 Subpart B, ICES-003, AS/NZS CISPR 32
Noise immunity	EN 61000-6-2 , EN 55024
Ambient conditions	
Ambient temperature	-40 ... 75 °C (-40 ... 167 °F)
Storage temperature	-40 ... 85 °C (-40 ... 185 °F)
Relative humidity	max. 95 %
Altitude	0 ... 3048 m
Mechanical specifications	
Housing length	116.8 mm
Housing width	22.9 mm
Housing height	99.1 mm
Degree of protection	IP20
Connection	Power Supply: screw terminals Fieldbus: 1 x RJ45 Inputs/outputs: 2 x DB9
Material	
Housing	Polyamide, UL94V-0
Mass	136g
Construction type	Cabinet module
Mounting	DIN mounting rail

Release date: 2023-04-17 Date of issue: 2023-04-17 Filename: 70114028_eng.pdf

Refer to "General Notes Relating to Pepperl+Fuchs Product Information".

Pepperl+Fuchs Group
www.pepperl-fuchs.com

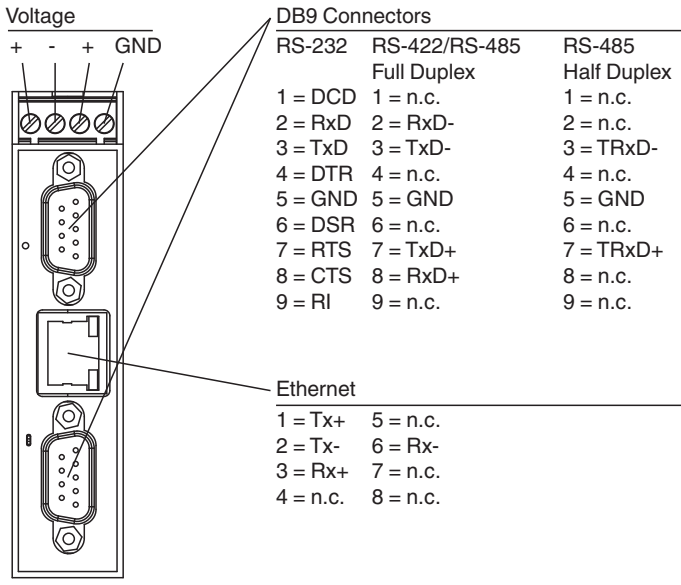
USA: +1 330 486 0001
fa-info@us.pepperl-fuchs.com

Germany: +49 621 776 1111
fa-info@de.pepperl-fuchs.com

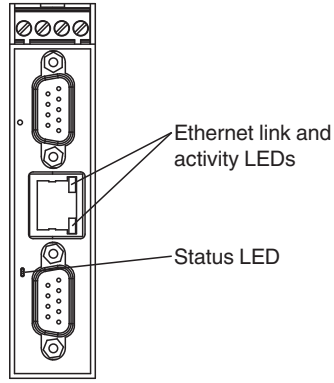
Singapore: +65 6779 9091
fa-info@sg.pepperl-fuchs.com

 **PEPPERL+FUCHS**

Connection



Assembly



Accessories

	V45-G-C5-GN1M-PUR-E1S	Ethernet bus cable male cordset single-ended RJ45, 4-pin, PUR cable green, Cat5e, shielded, UL approved, drag chain suitable
	V45-G-C5-GN3M-PUR-E1S	Ethernet bus cable male cordset single-ended RJ45, 4-pin, PUR cable green, Cat5e, shielded, UL approved, drag chain suitable
	V45-G-C5-GN10M-PUR-E1S	Ethernet bus cable male cordset single-ended RJ45, 4-pin, PUR cable green, Cat5e, shielded, UL approved, drag chain suitable
	V45-G-C5-GN1M-PUR-E1S-V45-G	Ethernet bus cable RJ45 to RJ45 PROFINET-coded, 4-pin, PUR cable green, Cat5e, shielded, UL approved, drag chain suitable
	V45-G-C5-GN3M-PUR-E1S-V45-G	Ethernet bus cable RJ45 to RJ45 PROFINET-coded, 4-pin, PUR cable green, Cat5e, shielded, UL approved, drag chain suitable
	V45-G-C5-GN10M-PUR-E1S-V45-G	Ethernet bus cable RJ45 to RJ45 PROFINET-coded, 4-pin, PUR cable green, Cat5e, shielded, UL approved, drag chain suitable
	V45-G-C5-GN20M-PUR-E1S-V45-G	Ethernet bus cable RJ45 to RJ45 PROFINET-coded, 4-pin, PUR cable green, Cat5e, shielded, UL approved, drag chain suitable

Release date: 2023-04-17 Date of issue: 2023-04-17 Filename: 70114028_eng.pdf

Refer to "General Notes Relating to Pepperl+Fuchs Product Information".