

Push button box

ICA-F85E2-MC-IO-V1

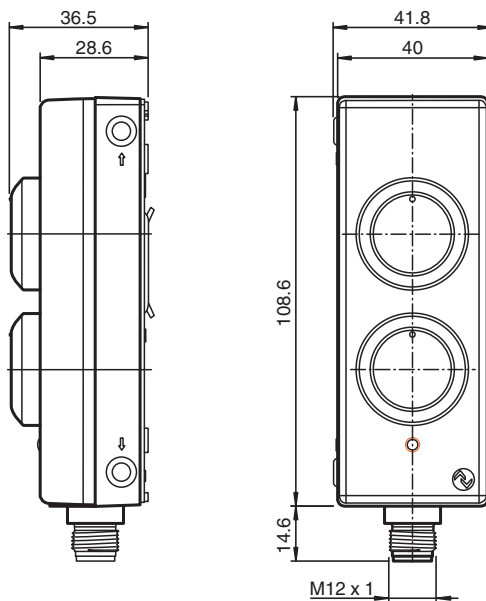


- IO-Link interface
- IO-Link Class A
- M12 plug connection
- Two buttons, RGB illumination, freely programmable
- Programmable night mode and flashing mode

Programmable push button box with IO-Link interface



Dimensions



Technical Data

General specifications

UL File Number E198304

Indicators/operating means

Button Two buttons, RGB illumination, freely programmable

Electrical specifications

Rated operating voltage U_e 18 ... 30 V

Operating current I_B ≤ 100 mA

Protection class III

Nominal voltage 24 V

Interface

Release date: 2023-11-30 Date of issue: 2023-11-30 Filename: 70148369_eng.pdf

Refer to "General Notes Relating to Pepperl+Fuchs Product Information".

Pepperl+Fuchs Group
www.pepperl-fuchs.com

USA: +1 330 486 0001
fa-info@us.pepperl-fuchs.com

Germany: +49 621 776 1111
fa-info@de.pepperl-fuchs.com

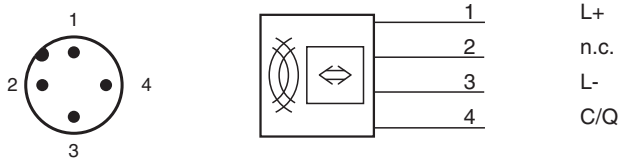
Singapore: +65 6779 9091
fa-info@sg.pepperl-fuchs.com

PF PEPPERL+FUCHS

Technical Data

Interface type	IO-Link (via C/Q = pin 4)
IO-Link revision	1.1
Device profile	Identification and Diagnosis - I&D Firmware update
Process data	Input: 8 bit - Input signals: 2 bit - Diagnostic signals: 1 bit Output: 16 bit - Control signals: 6 bit - Control values: 6 bit
Vendor ID	1 (0x0001)
Device ID	985089 (0x0F0801)
Transfer rate	COM2 (38.4 kBit/s)
Min. cycle time	5 ms
SIO mode support	no
Compatible master port type	Class A , Class B
Directive conformity	
Electromagnetic compatibility	
Directive 2014/30/EU	DIN EN 61000-6-2 DIN EN 61000-6-3 DIN EN 61131-9
Standard conformity	
Degree of protection	DIN EN 60529
Pollution degree	DIN EN 61010-1
Communication interface	DIN EN 61131-9 / IO-Link V1.1.2
Shock resistance	IEC 60068-2-27
Vibration resistance	IEC 60068-2-6
Ambient conditions	
Ambient temperature	-30 ... 60 °C (-22 ... 140 °F)
Storage temperature	-40 ... 80 °C (-40 ... 176 °F)
Shock and impact resistance	50 g, 11 ms, half sine wave 5 g, 10 ... 500 Hz
Pollution degree	2
Mechanical specifications	
Degree of protection	IP65
Connection	M12 x 1 connector, 4-pin, A-coded
Mass	121 g

Connection



Release date: 2023-11-30 Date of issue: 2023-11-30 Filename: 70148369_eng.pdf