

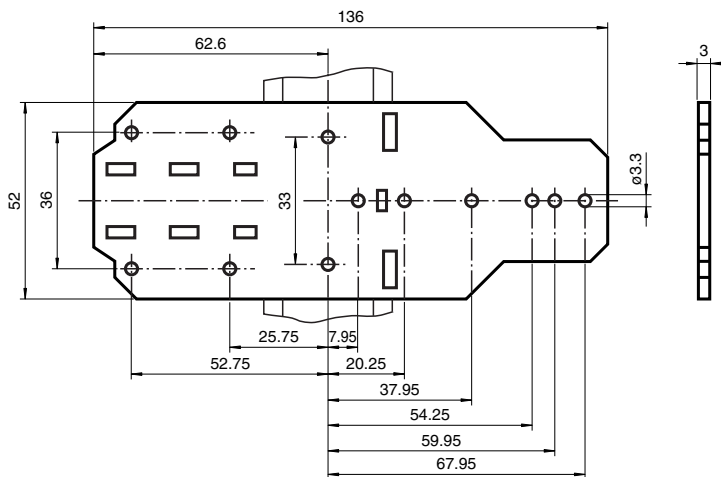
Mounting aid ICZ-MH05-SACB-8

■ Mounting accessory for DIN rail



Mounting aid for DIN rail

Dimensions



Technical Data

Mechanical specifications

Material	Diecast zinc
Mass	approx. 150 g
Dimensions	136 mm x 52 mm x 3 mm

Release date: 2020-03-23 Date of issue: 2020-03-27 Filename: 213526_eng.pdf

Refer to "General Notes Relating to Pepperl+Fuchs Product Information".

Pepperl+Fuchs Group
www.pepperl-fuchs.com

USA: +1 330 486 0001
fa-info@us.pepperl-fuchs.com

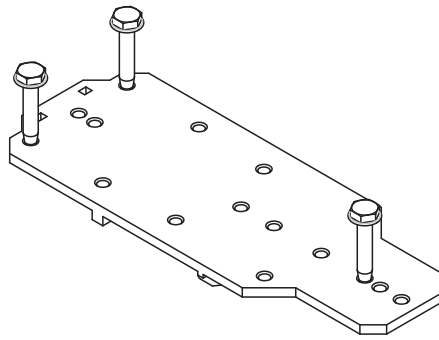
Germany: +49 621 776 1111
fa-info@de.pepperl-fuchs.com

Singapore: +65 6779 9091
fa-info@sg.pepperl-fuchs.com

PF PEPPERL+FUCHS

Mounting

Position of the mounting screws:



Delivery

Scope of delivery

Mounting aid, consisting of

- 1 Universal mounting rail adapter
- 3 thread rolling screws (DIN 7500 C), cross recess Z2 (M4 x 25/head DIN 7985), zinc plated