

## Mounting aid OMH 4-4950

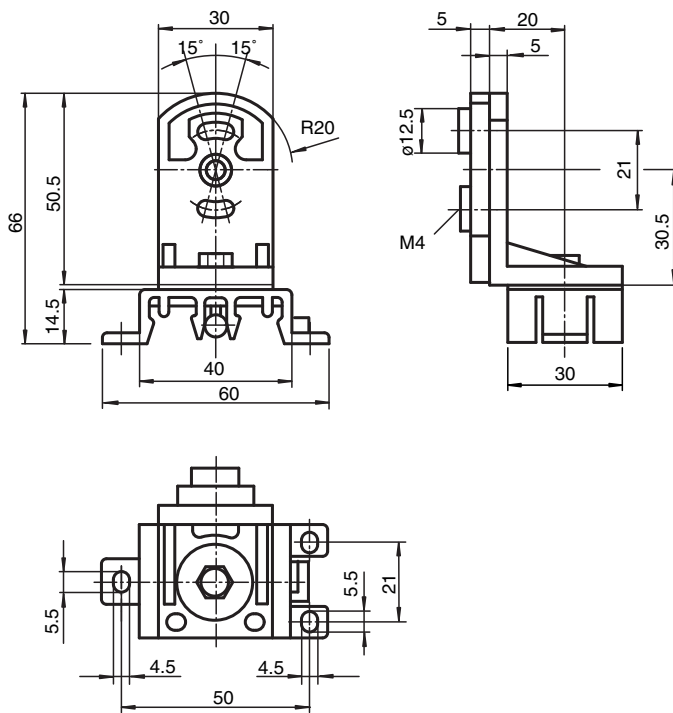


- Simple installation and exact setting
- Infinitely variable, may be inclined by  $\pm 15^\circ$
- Can be infinitely rotated horizontally through  $360^\circ$

Retainer



### Dimensions



### Technical Data

#### Mechanical specifications

Material	plastic
Mass	approx. 50 g
Mounting	Mounting accessories included
<b>Suitable series</b>	
Series	VariKont M

Release date: 2020-03-20 Date of issue: 2020-06-29 Filename: 019207\_eng.pdf

Refer to "General Notes Relating to Pepperl+Fuchs Product Information".

Pepperl+Fuchs Group  
www.pepperl-fuchs.com

USA: +1 330 486 0001  
fa-info@us.pepperl-fuchs.com

Germany: +49 621 776 1111  
fa-info@de.pepperl-fuchs.com

Singapore: +65 6779 9091  
fa-info@sg.pepperl-fuchs.com

 PEPPERL+FUCHS