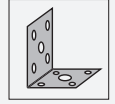


Mounting ring VOS-IL-MH05



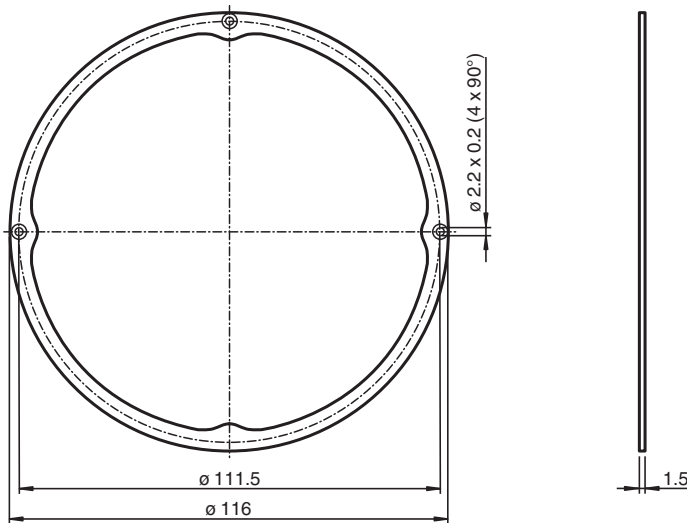
- Simple mounting
- For mounting on VOS ring lighting VOS-IL-F236W-*

Mounting ring for fastening optical accessories to VOS ring lighting

Function

Mounting ring for fastening optical filter disks to ring lighting.

Dimensions



Release date: 2022-08-25 Date of issue: 2022-08-25 Filename: 70150960_eng.pdf

Technical Data

Mechanical specifications

Material	anodized aluminum
Mass	10 g
Mounting	Mounting accessories included

Refer to "General Notes Relating to Pepperl+Fuchs Product Information".

Pepperl+Fuchs Group
www.pepperl-fuchs.com

USA: +1 330 486 0001
fa-info@us.pepperl-fuchs.com

Germany: +49 621 776 1111
fa-info@de.pepperl-fuchs.com

Singapore: +65 6779 9091
fa-info@sg.pepperl-fuchs.com

pf PEPPERL+FUCHS