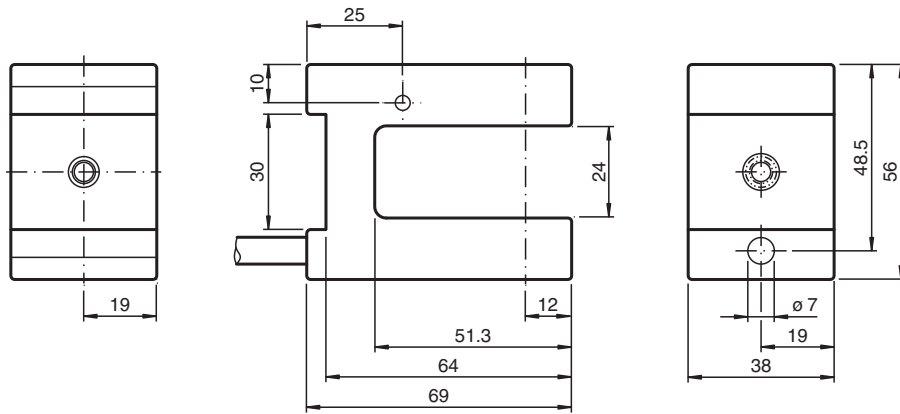




# Photoelectric slot sensor OBE24-S1-A2-Y909983



## Dimensions



## Technical Data

### General specifications

Sensing range	0 ... 24 mm
Light source	LED
Light type	infrared , 950 nm
Tests	EN 60947-5-2

Release date: 2022-08-23 Date of issue: 2022-08-23 Filename: 909983\_eng.pdf

Refer to "General Notes Relating to Pepperl+Fuchs Product Information".

Pepperl+Fuchs Group  
www.pepperl-fuchs.com

USA: +1 330 486 0001  
fa-info@us.pepperl-fuchs.com

Germany: +49 621 776 1111  
fa-info@de.pepperl-fuchs.com

Singapore: +65 6779 9091  
fa-info@sg.pepperl-fuchs.com

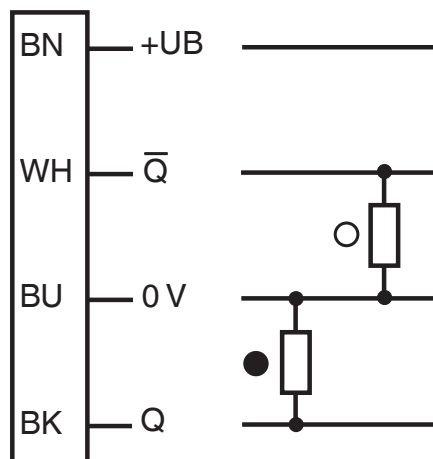
**pf** PEPPERL+FUCHS

## Technical Data

Marking	CE	
Slot width		24 mm
Slot depth		24 mm
Ambient light limit		Fluorescent lamp 3000 Lux sun light 10000 Lux
<b>Indicators/operating means</b>		
Operation indicator		LED red
<b>Electrical specifications</b>		
Operating voltage	$U_B$	10 ... 60 V DC
Ripple		10 %
No-load supply current	$I_0$	≤ 25 mA
Time delay before availability	$t_v$	≤ 10 ms
<b>Output</b>		
Switching type		light/dark on
Signal output		2 PNP complementary , Reverse polarity protection , open collectors
Switching voltage		max. 60 V DC
Switching current		max. 100 mA
Voltage drop	$U_d$	≤ 0.5 V
Switching frequency	$f$	100 Hz
Response time		< 10 ms
<b>Conformity</b>		
Product standard		EN 60947-5-2
<b>Approvals and certificates</b>		
EAC conformity		TR CU 020/2011
<b>Ambient conditions</b>		
Ambient temperature		-25 ... 55 °C (-13 ... 131 °F)
Storage temperature		-30 ... 70 °C (-22 ... 158 °F)
<b>Mechanical specifications</b>		
Degree of protection		IP65
Connection		600 mm
Material		
Housing		ABS
Note		Normally open (NO) white wire is inside heat-shrinkable tube

## Connection Assignment

Option: /120



○ = Light on  
● = Dark on

Release date: 2022-08-23 Date of issue: 2022-08-23 Filename: 909983\_eng.pdf

Refer to "General Notes Relating to Pepperl+Fuchs Product Information".

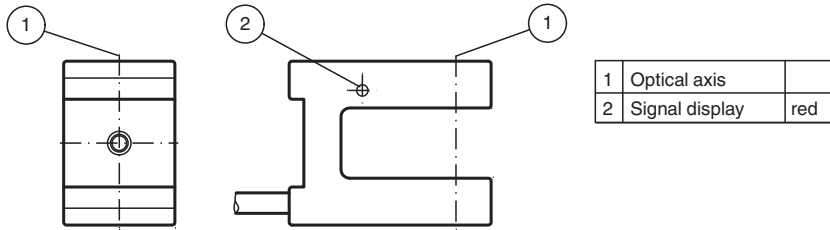
 Pepperl+Fuchs Group  
www.pepperl-fuchs.com

 USA: +1 330 486 0001  
fa-info@us.pepperl-fuchs.com

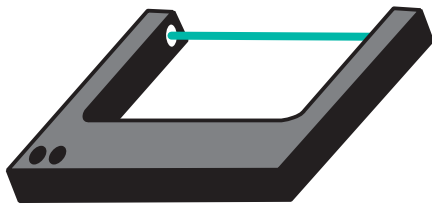
 Germany: +49 621 776 1111  
fa-info@de.pepperl-fuchs.com

 Singapore: +65 6779 9091  
fa-info@sg.pepperl-fuchs.com

## Assembly



## Application



Release date: 2022-08-23 Date of issue: 2022-08-23 Filename: 909983\_eng.pdf

Refer to "General Notes Relating to Pepperl+Fuchs Product Information".

Pepperl+Fuchs Group  
www.pepperl-fuchs.com

USA: +1 330 486 0001  
fa-info@us.pepperl-fuchs.com

Germany: +49 621 776 1111  
fa-info@de.pepperl-fuchs.com

Singapore: +65 6779 9091  
fa-info@sg.pepperl-fuchs.com

## Safety Information

**Safety Instructions:**

- Read the operating instructions before commissioning
- Installation, connection and adjustments should only be undertaken by qualified personnel
- No safety component according to EU Machinery Directive, may not be used for personal protection or EMERGENCY STOP function.

Release date: 2022-08-23 Date of issue: 2022-08-23 Filename: 909983\_eng.pdf

Refer to "General Notes Relating to Pepperl+Fuchs Product Information".

Pepperl+Fuchs Group  
www.pepperl-fuchs.com

USA: +1 330 486 0001  
fa-info@us.pepperl-fuchs.com

Germany: +49 621 776 1111  
fa-info@de.pepperl-fuchs.com

Singapore: +65 6779 9091  
fa-info@sg.pepperl-fuchs.com

 **PEPPERL+FUCHS**