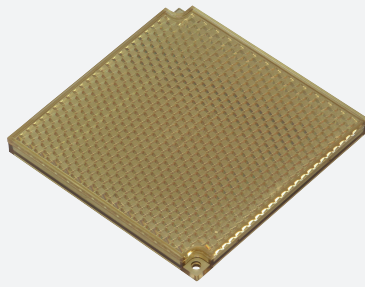
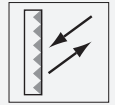


# Reflector

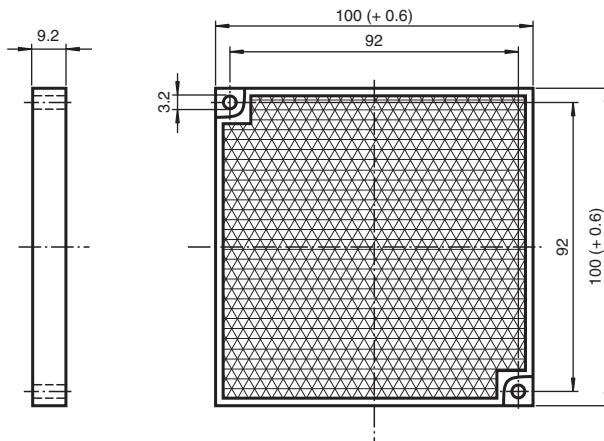
## REF-H100F



- Mounting holes for simple installation
- Chemical-resistant
- tested by TÜV

Reflector, rectangular 100 mm x 100 mm, mounting holes

### Dimensions



### Technical Data

<b>General specifications</b>	
Construction type	rectangular
<b>Ambient conditions</b>	
Ambient temperature	-30 ... 50 °C (-22 ... 122 °F)
<b>Mechanical specifications</b>	
Degree of protection	IP69K
Material	SC
Dimensions	100 mm x 100 mm x 9.2 mm
Mounting	mounting holes

Release date: 2023-10-19 Date of issue: 2023-10-19 Filename: 207569\_eng.pdf

Refer to "General Notes Relating to Pepperl+Fuchs Product Information".

Pepperl+Fuchs Group  
www.pepperl-fuchs.com

USA: +1 330 486 0001  
fa-info@us.pepperl-fuchs.com

Germany: +49 621 776 1111  
fa-info@de.pepperl-fuchs.com

Singapore: +65 6779 9091  
fa-info@sg.pepperl-fuchs.com

**PF** PEPPERL+FUCHS