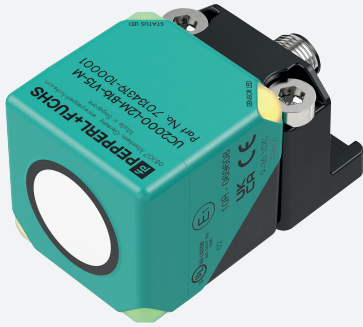


Ultrasonic sensor

UC2000-L2M-B16-V15-M

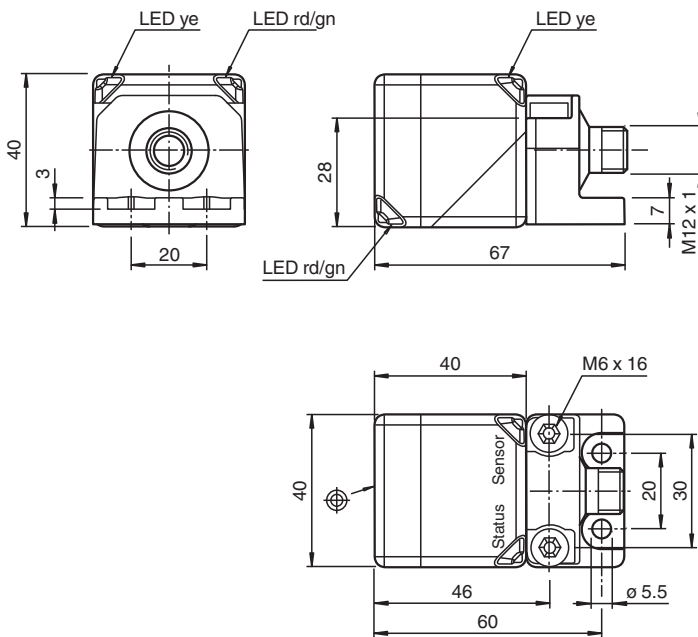


- CANopen interface
- E1-Type approval
- High EMC resistance
- Sensor head bidirectional and rotatable
- Rugged metal base
- Function indicators visible from all directions
- Degree of protection IP68

Single head system



Dimensions



Technical Data

General specifications

Sensing range	80 ... 2000 mm
Dead band	0 ... 80 mm
Standard target plate	100 mm x 100 mm
Transducer frequency	approx. 175 kHz

Nominal ratings

Linearity error	< 20 mm
Temperature drift	< +/- 20 mm
Time delay before availability	t_v ≤ 700 ms

Functional safety related parameters

Release date: 2023-03-10 Date of issue: 2023-03-10 Filename: 70134319-100001_eng.pdf

Refer to "General Notes Relating to Pepperl+Fuchs Product Information".

Pepperl+Fuchs Group
www.pepperl-fuchs.com

USA: +1 330 486 0001
fa-info@us.pepperl-fuchs.com

Germany: +49 621 776 1111
fa-info@de.pepperl-fuchs.com

Singapore: +65 6779 9091
fa-info@sg.pepperl-fuchs.com

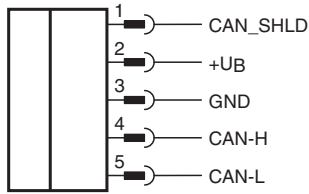
pepperl+fuchs

Technical Data

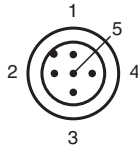
Category		
MTTF _d		421 a
Mission Time (T _M)		20 a
Diagnostic Coverage (DC)		0 %
Indicators/operating means		
LED yellow		object in evaluation range
LED red/green		CANopen status display
Electrical specifications		
Operating voltage	U _B	9 ... 30 V
No-load supply current	I ₀	≤ 50 mA
Power consumption	P ₀	typ. 0.6 W
Interface		
Interface type		CAN
Communication protocol		CANopen
Process data		Input: 48 Bit - measured value (distance value) 16 Bit - signal quality 8 Bit - counter-1 16 Bit or counter-2 8 Bit - status register 8 Bit
Node ID		programmable
Vendor ID		173 (0xAD)
Product code		50331650 (0x03000002)
Transfer rate		250 kBit/s , programmable 125 ... 1000 kBit/s
Termination		external
Cycle time		28.5 ms preset , programmable
Min. cycle time		28.5 ms
Compliance with standards and directives		
Standard conformity		
Standards		EN IEC 60947-5-2:2020 IEC 60947-5-2:2019
Communication interface		CiA 310, Ver. 4.2.0
Approvals and certificates		
CCC approval		CCC approval / marking not required for products rated ≤36 V
UN/ECE Regulation No. 10 (E1)		Type-approval number: 10R-069608
Ambient conditions		
Ambient temperature		-40 ... 85 °C (-40 ... 185 °F)
Storage temperature		-40 ... 85 °C (-40 ... 185 °F)
Mechanical specifications		
Connection type		Connector plug
Degree of protection		IP68
Material		
Housing		PA-GF35
Connector		
Threading		M12
Number of pins		5
Mass		175 g
Factory settings		
Default setting		counter-1 , 8 Bit
Beam width		wide
Synchronization		deactivated
Node ID		16
Transfer rate		250 kBit/s

Release date: 2023-03-10 Date of issue: 2023-03-10 Filename: 70134319-100001_eng.pdf

Connection

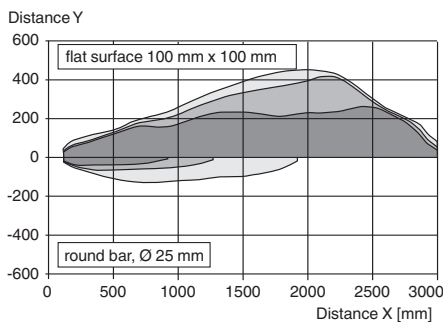


Connection Assignment



Characteristic Curve

Characteristic response curve



Accessories

	CAN/USB-Configuration-Kit	CAN/USB configuration kit containing CAN/USB converter, power supply and adapter/connection cables
	V15S-T-CAN/DN-V15	Y-Splitter M12 socket to M12 plug / M12 socket 5-pin A-coded
	V15S-TR-CAN/DN-120R	Terminal resistor for DeviceNet, CANopen
	V15-G-BK2M-PUR-O2/CAN	DeviceNet/CANOpen bus cable female cordset single-ended M12 straight A-coded 5-pin, PUR cable 4-core twisted pairs black, shielded, UL approved, drag chain suitable, outdoor
	V15-G-BK2M-PUR-O2/CAN-V15-G	DeviceNet/CANOpen bus cable M12 socket straight to M12 plug straight A-coded, 5-pin, PUR cable 4-core twisted pairs black, shielded, UL approved, drag chain suitable, outdoor

Release date: 2023-03-10 Date of issue: 2023-03-10 Filename: 70134319-100001_eng.pdf