

# Y-Splitter

V1S-T-V1-Y70163306

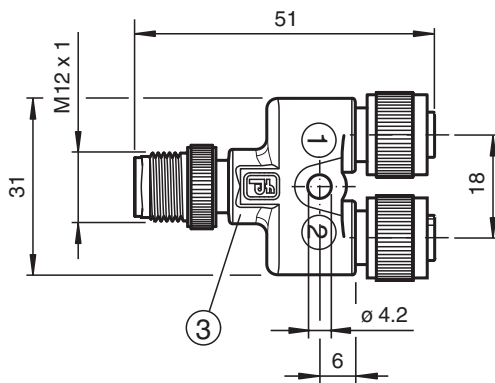


- Easy merging of two signals at a single M12 slot
- Suitable for normally open contacts or 1 signal from antivalent sensors
- Degree of protection IP67
- Free of paint wetting interfering substances
- Knurled nut suitable for tool assembly
- Immunity to vibration, with mechanical latching

Y-Splitter M12 plug 4-pin to 2x M12 socket 3-pin A-coded



## Dimensions



## Technical Data

### General specifications

<b>Connector 1</b>	
Connection	socket
Construction type	M12
Style	straight
Locking	screw connection
Number of pins	3
Coding	A-coded
<b>Connector 2</b>	
Connection	socket
Construction type	M12
Style	straight
Locking	screw connection
Number of pins	3
Coding	A-coded
<b>Connector 3</b>	
Connection	plug

Release date: 2023-06-13 Date of issue: 2023-06-13 Filename: 70163306\_eng.pdf

Refer to "General Notes Relating to Pepperl+Fuchs Product Information".

Pepperl+Fuchs Group  
www.pepperl-fuchs.com

USA: +1 330 486 0001  
fa-info@us.pepperl-fuchs.com

Germany: +49 621 776 1111  
fa-info@de.pepperl-fuchs.com

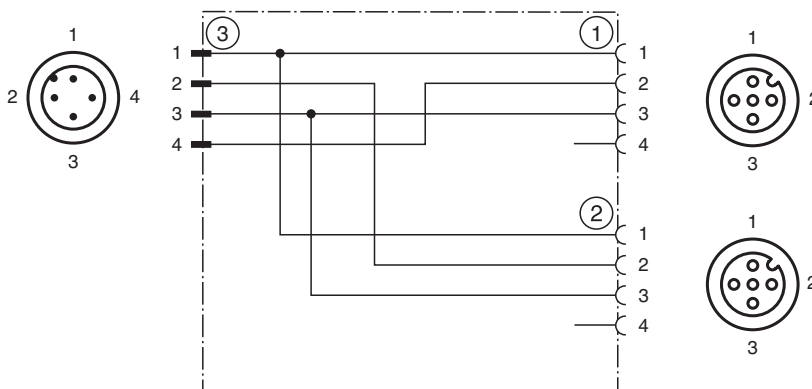
Singapore: +65 6779 9091  
fa-info@sg.pepperl-fuchs.com

PEPPERL+FUCHS

**Technical Data**

Construction type		M12
Style		straight
Locking		screw connection
Number of pins		4
Coding		A-coded
<b>Electrical specifications</b>		
Operating voltage	U <sub>B</sub>	max. 48 V AC / 60 V DC
Operating current	I <sub>B</sub>	4 A
<b>Conformity</b>		
Degree of protection		EN 60529
Plug connection		connector M12 x 1 : IEC 61076-2-101
Flammability		UL 94 , UL 758 / 1581
<b>Approvals and certificates</b>		
UL approval		UL Recognized General purpose
Maximum permissible operating voltage		max. 60 V
Maximum permissible ambient temperature		max. 80 °C (max. 176 °F)
UL File Number		E231213
<b>Ambient conditions</b>		
Ambient temperature		-40 ... 90 °C (-40 ... 194 °F)
Pollution degree		3
<b>Mechanical specifications</b>		
Plug connector		
Tightening torque		0.6 Nm
Loosening protection		available
Tool installation		straight knurling
Mating cycles		min. 100
Degree of protection		IP67
Mounting		Mounting hole for M4 screw
<b>Material</b>		
Plug connector		
Screw connection		Zinc diecast, nickel-plated
Body		TPU
Contact surface		gold plated (Au)
Flammability		V-2

**Connection Assignment**



Release date: 2023-06-13 Date of issue: 2023-06-13 Filename: 70163306\_eng.pdf

Refer to "General Notes Relating to Pepperl+Fuchs Product Information".



Pepperl+Fuchs Group  
www.pepperl-fuchs.com

USA: +1 330 486 0001  
fa-info@us.pepperl-fuchs.com

Germany: +49 621 776 1111  
fa-info@de.pepperl-fuchs.com

Singapore: +65 6779 9091  
fa-info@sg.pepperl-fuchs.com

**Accessories**

	<p><b>MH V1-SCREWDRIVER</b></p>	<p>Torque screwdriver (0.6 Nm)</p>
	<p><b>MH V1-BIT M12</b></p>	<p>plug-in cap M12</p>

Release date: 2023-06-13 Date of issue: 2023-06-13 Filename: 70163306\_eng.pdf

Refer to "General Notes Relating to Pepperl+Fuchs Product Information".

Pepperl+Fuchs Group  
www.pepperl-fuchs.com

USA: +1 330 486 0001  
fa-info@us.pepperl-fuchs.com

Germany: +49 621 776 1111  
fa-info@de.pepperl-fuchs.com

Singapore: +65 6779 9091  
fa-info@sg.pepperl-fuchs.com