



Retroreflective sensor MLV12-54-G/76b/95/128

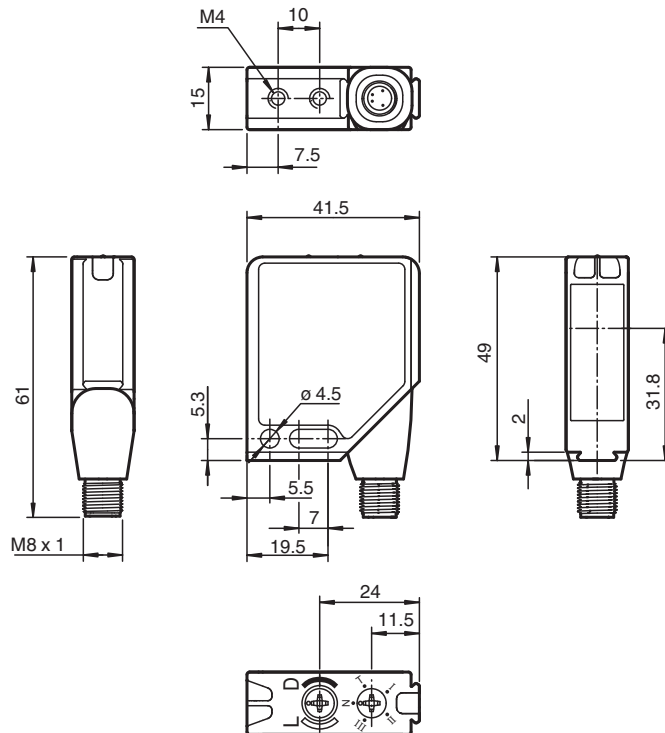


- Series of sensors in a widely used standard housing
- Reliable recognition of reflective objects and clear glass
- TEACH-IN switch for setting the contrast detection levels
- Automatic adjustment in case of soiling in contrast detection mode
- High level of stability thanks to the metal housing frame
- Resistant against noise: reliable operation under all conditions

Retroreflective sensor for glass detection, small design, 5.6 m detection range, red light, light/dark on, push-pull output, test input, M8 plug



Dimensions



Release date: 2023-04-04 Date of issue: 2023-04-04 Filename: 115793_eng.pdf

Refer to "General Notes Relating to Pepperl+Fuchs Product Information".

Pepperl+Fuchs Group
www.pepperl-fuchs.com

USA: +1 330 486 0001
fa-info@us.pepperl-fuchs.com

Germany: +49 621 776 1111
fa-info@de.pepperl-fuchs.com

Singapore: +65 6779 9091
fa-info@sg.pepperl-fuchs.com

PF PEPPERL+FUCHS

Technical Data

General specifications		
Effective detection range		0 ... 4.2 m
Reflector distance		0 ... 4.2 m
Threshold detection range		5.6 m
Reference target		H85-2 reflector
Light source		LED
Light type		modulated visible red light , 660 nm
Polarization filter		yes
Diameter of the light spot		approx. 110 mm at detection range 4.2 m
Opening angle		1.5 °
Ambient light limit		
Continuous light		40000 Lux
Modulated light		5000 Lux
Functional safety related parameters		
MTTF _d		1000 a
Mission Time (T _M)		20 a
Diagnostic Coverage (DC)		90 %
Indicators/operating means		
Operation indicator		LED green, flashes in case of short-circuit
Function indicator		2 LEDs yellow for switching state, stability control, TEACH-IN and contrast detection mode
Control elements		rotary switch for light/dark, 5-step switch for contrast recognition adjustment
Contrast detection levels		10 % - clean, water filled PET bottles 18 % - clear glass bottles 40 % - colored glass or opaque materials adjustable by Teach-In key or external wire
Electrical specifications		
Operating voltage	U _B	10 ... 30 V DC
Ripple		max. 10 %
No-load supply current	I ₀	max. 55 mA
Input		
Test input		emitter deactivation at 0 V (I _{max} < 4mA at UB+ = 30 VDC)
Output		
Switching type		light/dark on switchable
Signal output		1 push-pull (4 in 1) output, short-circuit protected, reverse polarity protected
Switching voltage		max. 30 V DC
Switching current		max. 0.2 A
Voltage drop	U _d	≤ 2.5 V DC
Switching frequency	f	1000 Hz
Response time		0.5 ms
Conformity		
Product standard		EN 60947-5-2
Compliance with standards and directives		
Standard conformity		
Shock and impact resistance		IEC / EN 60068. half-sine, 40 g in each X, Y and Z directions
Vibration resistance		IEC / EN 60068-2-6. Sinus. 10 -150 Hz, 5 g in each X, Y and Z directions
Approvals and certificates		
UL approval		cULus
CCC approval		CCC approval / marking not required for products rated ≤36 V
Ambient conditions		
Ambient temperature		-40 ... 60 °C (-40 ... 140 °F)
Storage temperature		-40 ... 75 °C (-40 ... 167 °F)
Mechanical specifications		
Housing width		41.5 mm

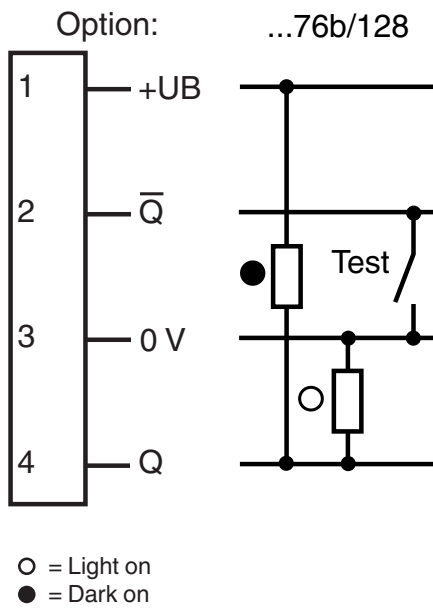
Release date: 2023-04-04 Date of issue: 2023-04-04 Filename: 115793_eng.pdf

Refer to "General Notes Relating to Pepperl+Fuchs Product Information".

Technical Data

Housing height	49 mm
Housing depth	15 mm
Degree of protection	IP67
Connection	4-pin M8 metal connector, 90° rotatable
Material	
Housing	Frame: nickel plated, die cast zinc, Laterals: glass-fiber reinforced plastic PC
Optical face	Plastic pane
Mass	60 g

Connection Assignment



Connection Assignment

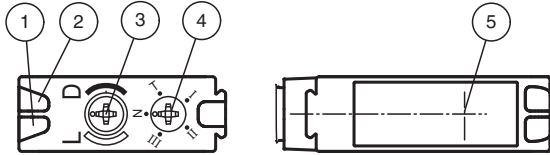


Wire colors in accordance with EN 60947-5-2

1	BN	(brown)
2	WH	(white)
3	BU	(blue)
4	BK	(black)

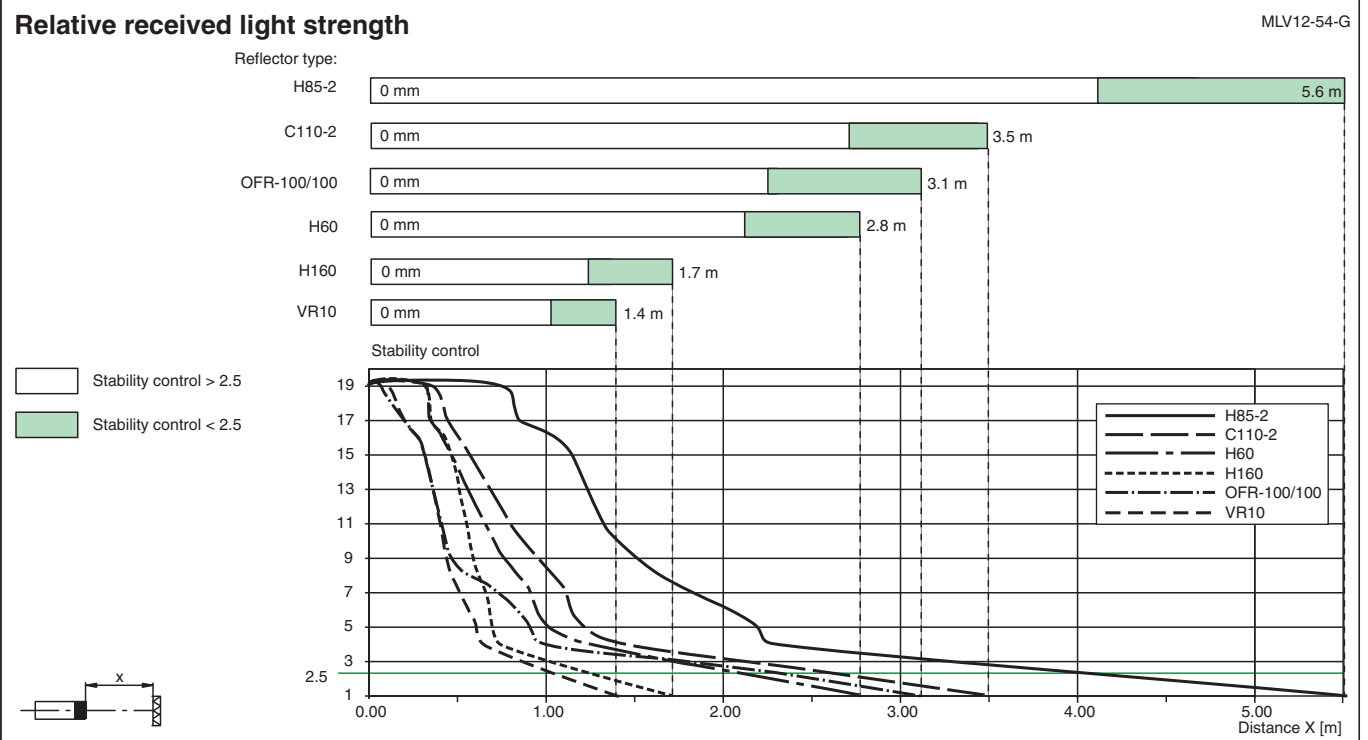
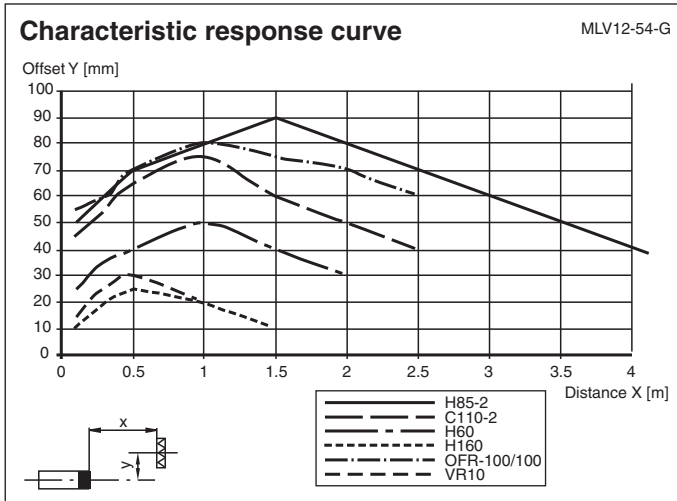
Release date: 2023-04-04 Date of issue: 2023-04-04 Filename: 115793_eng.pdf

Assembly



1	Operating display	green
2	Switch state	yellow
3	Bright/dark switch	
4	Teach-In switch	
5	Optical axis	

Characteristic Curve









Accessories

	OMH-MLV12-HWG	Mounting bracket for series MLV12 sensors
--	----------------------	---

Release date: 2023-04-04 Date of issue: 2023-04-04 Filename: 115793_eng.pdf

Accessories

	OMH-MLV12-HWK	Mounting bracket for series MLV12 sensors
	OMH-K01	dove tail mounting clamp
	OMH-K02	dove tail mounting clamp
	OMH-K03	dove tail mounting clamp
	OMH-06	Mounting aid for round steel ø 12 mm or sheet 1.5 mm ... 3 mm
	ORR50G	Reflector, rectangular 50.9 mm x 60.9 mm, mounting holes, fixing strap and polarization filter

Teach-In

Switch position "N" (standard operation):

LEDs yellow are lit when the light beam is unobstructed, they flash when the value falls short of the function reserve and they go out when the beam is interrupted.

Switch position "T" (Teach-in mode):

After 1 s, the yellow LED flashes slowly (approx. 1.5 Hz). The sensor is now ready to be set for a specific contrast detection value by the mechanical switch (pos. I, II or III).

Switch positions "I", "II" and "III" (contrast detection mode):

Contrast recognition values: I for 10 %, II for 18 %, III for 40 %

1. LED yellow permanently lit: light path unobstructed
2. LED yellow off: element to be sensed detected
3. LED yellow flashes rapidly: detection failure, excessive soiling, function reserve too low.

Warm-up period:

Any warm-up period can be shortened by repeating the learn (teach) process.

