



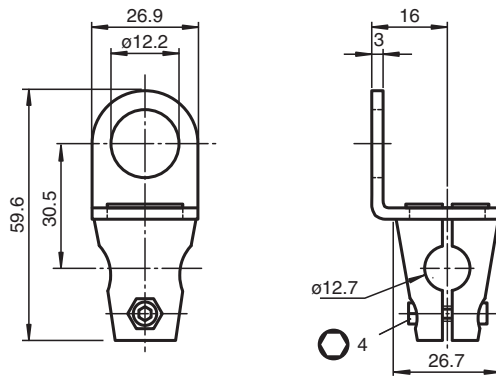
Mounting aid

MH 01-M12

- Suitable for M12 sensors
- Simple and fast mounting

Mounting brackets for sensors

Dimensions



Technical Data

General specifications	
Inside diameter	12 mm
Mechanical specifications	
Material	Clamping cylinder: Diecast zinc Support bracket: Steel
Note	rod not included

Release date: 2020-06-15 Date of issue: 2020-06-30 Filename: 913337_eng.pdf

Refer to "General Notes Relating to Pepperl+Fuchs Product Information".

Pepperl+Fuchs Group
www.pepperl-fuchs.com

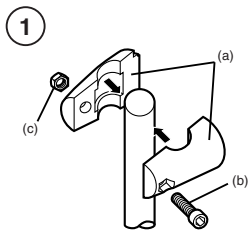
USA: +1 330 486 0001
fa-info@us.pepperl-fuchs.com

Germany: +49 621 776 1111
fa-info@de.pepperl-fuchs.com

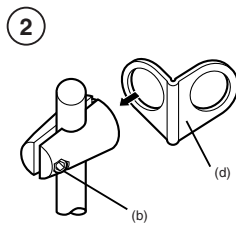
Singapore: +65 6779 9091
fa-info@sg.pepperl-fuchs.com

PF PEPPERL+FUCHS

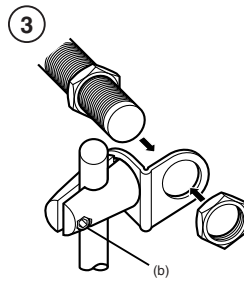
Mounting



Fasten the two parts of the mounting clamp (a) loosely by means of the screw (b) and the nut (c) supplied.



Attach the mounting bracket (d) and then tighten the screw (b) in such a way that the bracket can still be turned.



Tighten the screw fully after the sensor has been mounted and aligned.

Release date: 2020-06-15 Date of issue: 2020-06-30 Filename: 913337_eng.pdf