



## Retroreflective sensor OBR1000-R2-E2-0,2M-V31-P



- Ultra-small housing design
- 45° cable outlet for maximum mounting freedom under extremely tight space constraints
- Integrated polarization filter allows the detection of reflective objects
- Extremely long detection range paves the way for new applications

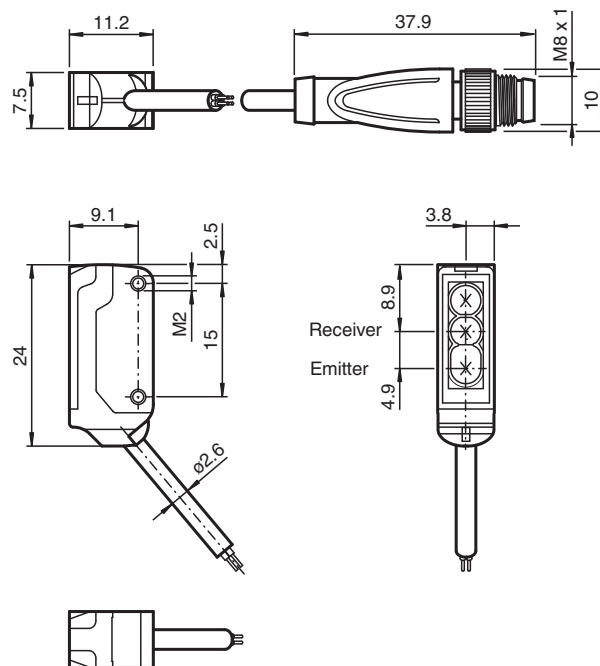
Retroreflective sensor for standard applications, miniature design, polarization filter, 1000 mm detection range, red light, dark on, PNP output, 200 mm fixed cable with plug M8, 4-pin



### Function

The nano sensor has been developed for a broad range of applications. It offers excellent durability and is exceptionally easy to install. The housing is compact and, with its 45° cable outlet, can be installed in the smallest spaces. New functional principles and functionality open up a range of new options.

### Dimensions



### Technical Data

#### General specifications

|                           |                |
|---------------------------|----------------|
| Effective detection range | 0 ... 1 m      |
| Reflector distance        | 40 ... 1000 mm |
| Threshold detection range | 1.4 m          |
| Reference target          | H40 reflector  |

Release date: 2023-03-28 Date of issue: 2023-03-28 Filename: 70141806\_eng.pdf

Refer to "General Notes Relating to Pepperl+Fuchs Product Information".

Pepperl+Fuchs Group  
www.pepperl-fuchs.com

USA: +1 330 486 0001  
fa-info@us.pepperl-fuchs.com

Germany: +49 621 776 1111  
fa-info@de.pepperl-fuchs.com

Singapore: +65 6779 9091  
fa-info@sg.pepperl-fuchs.com

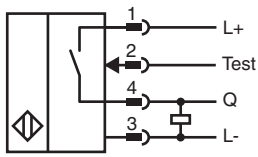
**pf** PEPPERL+FUCHS

## Technical Data

|   |   |                          |
|---|---|--------------------------|
| Light source                                | LED   |                          |
| Light type                                  | modulated visible red light , 630 nm  |                          |
| Polarization filter                         | yes   |                          |
| Angle deviation                             | approx. 2 °   |                          |
| Diameter of the light spot                  | approx. 60 mm at a distance of 800 mm   |                          |
| Opening angle                               | approx. 2 °   |                          |
| Optical face                                | frontal   |                          |
| Ambient light limit                         | EN 60947-5-2 : 30000 Lux  |                          |
| <b>Functional safety related parameters</b> |   |                          |
| MTTF <sub>d</sub>                           | 800 a   |                          |
| Mission Time (T <sub>M</sub> )              | 20 a  |                          |
| Diagnostic Coverage (DC)                    | 0 %   |                          |
| <b>Indicators/operating means</b>           |   |                          |
| Operation indicator                         | LED green, statically lit Power on , short-circuit : LED green flashing (approx. 4 Hz)  |                          |
| Function indicator                          | LED yellow: lights up when receiving the light beam ; flashes when falling short of the operating reserve; OFF when light beam is interrupted |                          |
| <b>Electrical specifications</b>            |   |                          |
| Operating voltage                           | U <sub>B</sub>  | 10 ... 30 V DC , class 2 |
| No-load supply current                      | I <sub>0</sub>  | < 10 mA                  |
| <b>Input</b>                                |   |                          |
| Test input                                  | Test of switching function at 0 V   |                          |
| <b>Output</b>                               |   |                          |
| Switching type                              | NO contact / dark-on  |                          |
| Signal output                               | 1 PNP output, short-circuit protected, reverse polarity protected, open collector   |                          |
| Switching voltage                           | max. 30 V DC  |                          |
| Switching current                           | max. 50 mA  |                          |
| Voltage drop                                | U <sub>d</sub>  | ≤ 1.5 V DC               |
| Switching frequency                         | f   | approx. 800 Hz           |
| Response time                               | 600 μs  |                          |
| <b>Conformity</b>                           |   |                          |
| Product standard                            | EN 60947-5-2  |                          |
| <b>Approvals and certificates</b>           |   |                          |
| UL approval                                 | cULus Recognized, Class 2 Power Source  |                          |
| CCC approval                                | CCC approval / marking not required for products rated ≤36 V  |                          |
| <b>Ambient conditions</b>                   |   |                          |
| Ambient temperature                         | -25 ... 60 °C (-13 ... 140 °F)  |                          |
| Storage temperature                         | -30 ... 70 °C (-22 ... 158 °F)  |                          |
| <b>Mechanical specifications</b>            |   |                          |
| Housing width                               | 7.5 mm  |                          |
| Housing height                              | 24 mm   |                          |
| Housing depth                               | 11.2 mm   |                          |
| Degree of protection                        | IP67  |                          |
| Connection                                  | 200 mm fixed cable with 4-pin, M8x1 connector   |                          |
| <b>Material</b>                             |   |                          |
| Housing                                     | PC/ABS and TPU  |                          |
| Optical face                                | PMMA  |                          |
| Cable                                       | PUR   |                          |
| Installation                                | Fixing screws , 2 x M2 allen head screws included with delivery   |                          |
| Mass  | approx. 20 g  |                          |
| Cable length                                | 200 mm  |                          |

Release date: 2023-03-28 Date of issue: 2023-03-28 Filename: 70141806\_eng.pdf

**Connection**



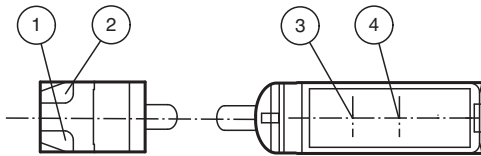
**Connection Assignment**



Wire colors in accordance with EN 60947-5-2

- 1 | BN (brown)
- 2 | WH (white)
- 3 | BU (blue)
- 4 | BK (black)

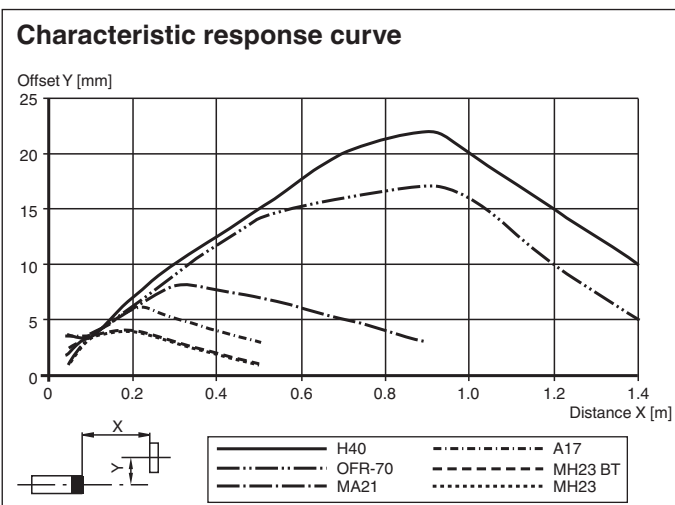
**Assembly**



|   |                   |        |
|---|-------------------|--------|
| 1 | Operating display | green  |
| 2 | Signal display    | yellow |
| 3 | Emitter           |        |
| 4 | Receiver          |        |

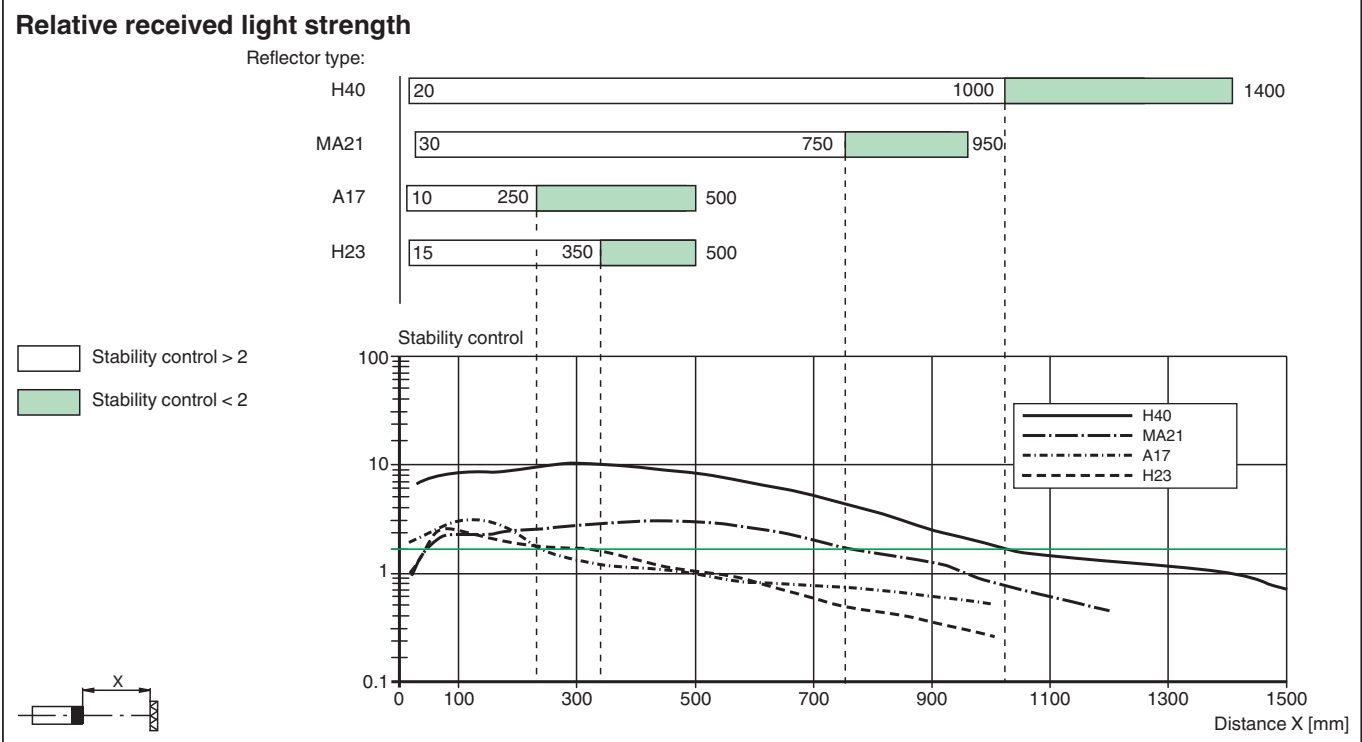
**Characteristic Curve**

Release date: 2023-03-28 Date of issue: 2023-03-28 Filename: 70141806\_eng.pdf



Refer to "General Notes Relating to Pepperl+Fuchs Product Information".

**Characteristic Curve**



**Accessories**

|  |                      |  |
|--|----------------------|--|
|  | <b>MH-R2-01</b>      | Mounting aid for R2 series, Mounting bracket                           |
|  | <b>MH-R2-02</b>      | Mounting aid for R2 series, Mounting bracket                           |
|  | <b>MH-R2-03</b>      | Mounting aid for R2 series, Mounting bracket                           |
|  | <b>MH-R2-04</b>      | Mounting aid for R2 series, Mounting bracket                           |
|  | <b>V31-WM-2M-PUR</b> | Female cordset single-ended M8 angled A-coded, 4-pin, PUR cable grey   |
|  | <b>V31-GM-2M-PUR</b> | Female cordset single-ended M8 straight A-coded, 4-pin, PUR cable grey |

Release date: 2023-03-28 Date of issue: 2023-03-28 Filename: 70141806\_eng.pdf

Refer to "General Notes Relating to Pepperl+Fuchs Product Information".