

Mounting aid DGE

TopScan-S Cable 240 mm

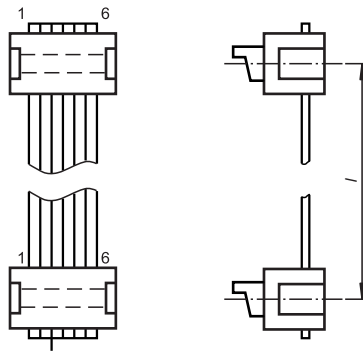


- Connecting cable for sensor modules
- Length 240 mm

Ribbon cable for connecting sensor modules



Dimensions



Technical Data

Mechanical specifications

Cable			
Length	L	240 mm	
Suitable series			
Series	TopScan-S , TopScan2		

Release date: 2020-03-24 Date of issue: 2020-10-08 Filename: 244265_eng.pdf

Refer to "General Notes Relating to Pepperl+Fuchs Product Information".

Pepperl+Fuchs Group
www.pepperl-fuchs.com

USA: +1 330 486 0001
fa-info@us.pepperl-fuchs.com

Germany: +49 621 776 1111
fa-info@de.pepperl-fuchs.com

Singapore: +65 6779 9091
fa-info@sg.pepperl-fuchs.com

PF PEPPERL+FUCHS