



Male connector, field-attachable

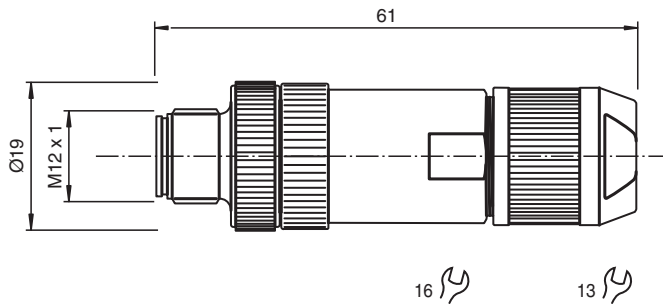
V1SD-G-ABG-PG9-Q3

- D coding for Ethernet
- Conforms to PROFINET
- Field-attachable, shieldable
- Metal housing
- Insulation displacement connection
- Shield connected to connector

Male connector M12 straight D-coded 4-pin, shielded, for cable diameter 4 - 8 mm, field-attachable, insulation displacement connection



Dimensions



Technical Data

General specifications

Connector 1	
Connection	plug
Construction type	M12
Style	straight
Locking	screw connection
Number of pins	4
Coding	D-coded

Electrical specifications

Operating voltage	U_B	max. 48 V AC / 60 V DC
Operating current	I_B	max. 1.75 A
Insulation resistance		min. 100 MΩ

Conformity

Degree of protection	EN 60529
Fieldbus standard	PROFINET
Plug connection	connector M12 x 1 : IEC 61076-2-101

Release date: 2023-12-07 Date of issue: 2023-12-07 Filename: 70143667_eng.pdf

Refer to "General Notes Relating to Pepperl+Fuchs Product Information".

Pepperl+Fuchs Group
www.pepperl-fuchs.com

USA: +1 330 486 0001
fa-info@us.pepperl-fuchs.com

Germany: +49 621 776 1111
fa-info@de.pepperl-fuchs.com

Singapore: +65 6779 9091
fa-info@sg.pepperl-fuchs.com

 PEPPERL+FUCHS

Technical Data

Component category	CAT5 (IEC 11801)
Flammability	UL 94
Ambient conditions	
Ambient temperature	-40 ... 85 °C (-40 ... 185 °F)
Pollution degree	3
Mechanical specifications	
Plug connector	
Tightening torque	0.4 Nm knurl / 0.8 Nm plug insert / 3.0 Nm pressure nut
Tool installation	straight knurling , SW = 16 mm , SW = 13 mm
Mating cycles	min. 100
Shielding	shield connected to connector
Degree of protection	IP67
Connection	Insulation displacement connection for 0.25 ... 0.34 mm ²
Cable	
Sheath diameter	4 ... 8 mm
Mass	44 g
Material	
Plug connector	
Screw connection	brass, nickel-plated
Body	Zinc diecast, nickel-plated
Seal	Neoprene
Contact surface	Ni/Au
Flammability	V-0

Connection Assignment

