



AS-Interface flat cable

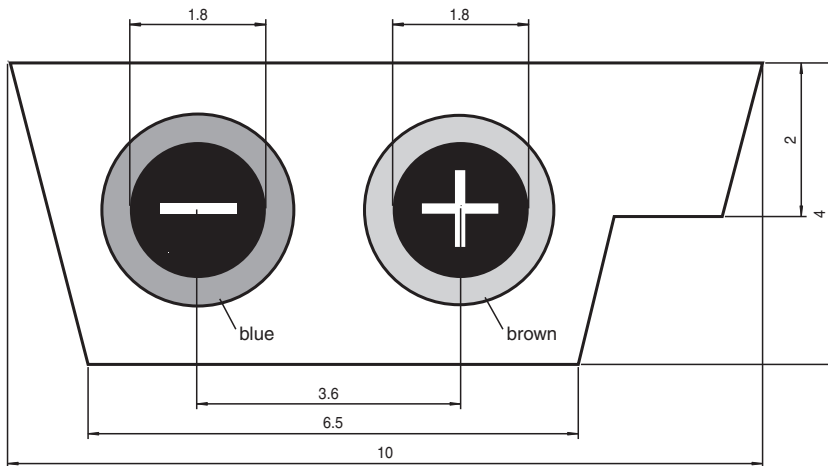
VAZ-FK-PUR-BK-2,5MM-500M

- Oil resistant
- Cable piercing technique
- Resistant to environmental influence
- Resistant to bending
- Suitable for drag chains and abrasion resistant
- Reverse polarity protected due to the shape of the cable
- halogen-free, flame-proof outer shell on PUR basis

AS-Interface flat cable for external auxiliary voltage up to 24 V



Dimensions



Technical Data

| | |
|----------------------------------|--|
| General specifications | |
| UL File Number | E48408 |
| Electrical specifications | |
| Nominal voltage | 24 V |
| Current loading capacity | According to DIN VDE 0298 Part 4, Table 6, Column 4 |
| Ambient conditions | |
| Ambient temperature | -40 ... 80 °C (-40 ... 176 °F) |
| Mechanical specifications | |
| Core cross section | Copper, extra-fine wire, class 6 in accordance with DIN VDE 0295 cross-section 2.5 mm ² |
| Bending radius | min. permissible bend radii in accordance with DIN VDE 0298 Part 3, Table 2 Bending stress only permitted on the wide side of the cable |
| Tension loading | max. 50 N/mm ² on laying acc. to DIN VDE 0298 Part 3 |
| Material | PUR (TPPU) |
| Core insulation | TPM |
| Cable | UL style 20549/10493 |
| Bending radius | > 60 mm |
| Color | black (similar to RAL 9005) |


Release date: 2022-06-17 Date of issue: 2022-06-17 Filename: 282771_eng.pdf

Refer to "General Notes Relating to Pepperl+Fuchs Product Information".

Technical Data

| | |
|------------------------|------------------------------------|
| Drag chain suitability | |
| Motion velocity | max. 3 m/s |
| Traverse distance | 5 m |
| Acceleration | max. 5 m/s ² |
| Torsion cycles | min. 500000 |
| Cable length | 500 m |
| Flammability | |
| Cable | Flame-retardant as per IEC 60332-1 |

Accessories

| | | |
|---|-------------------|--------------------------------------|
|  | VAZ-FK-ED3 | AS-Interface end seal for flat cable |
|---|-------------------|--------------------------------------|