



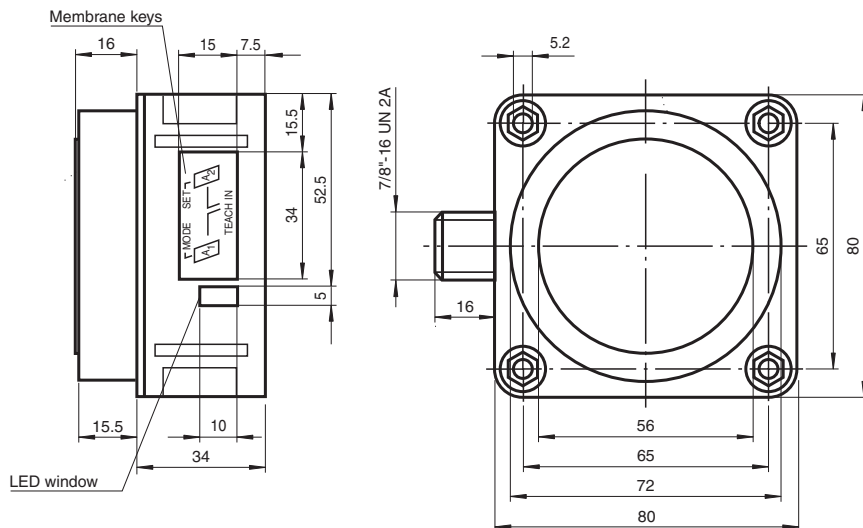
Ultrasonic sensor UB5000-F42-UK-V95

- Relay output for high power
- Extremely small unusable area
- TEACH-IN
- Interference suppression (adjustable divergence of sound cone in close range)
- Temperature compensation
- NO/NC selectable

Single head system



Dimensions



Technical Data

General specifications

Sensing range	350 ... 5000 mm
Adjustment range	400 ... 5000 mm
Dead band	0 ... 350 mm
Standard target plate	100 mm x 100 mm
Transducer frequency	approx. 65 kHz
Response delay	approx. 650 ms

Indicators/operating means

LED green	solid green: Power on
-----------	-----------------------

Release date: 2023-02-15 Date of issue: 2023-02-15 Filename: 111686_eng.pdf

Refer to "General Notes Relating to Pepperl+Fuchs Product Information".

Pepperl+Fuchs Group
www.pepperl-fuchs.com

USA: +1 330 486 0001
fa-info@us.pepperl-fuchs.com

Germany: +49 621 776 1111
fa-info@de.pepperl-fuchs.com

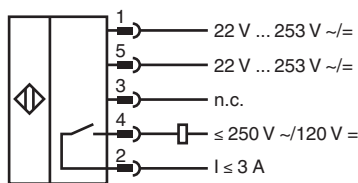
Singapore: +65 6779 9091
fa-info@sg.pepperl-fuchs.com

pf PEPPERL+FUCHS

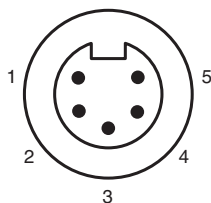
Technical Data

LED yellow		solid: switching state switch output flashing: program function
LED red		normal operation: "fault" program function: no object detected
Electrical specifications		
Fusing		≤ 3 A Slow-blow fuse in accordance with IEC 60127-2 Sheet 5 required. Recommendation: after a short circuit, check that the device is functioning correctly.
Operating voltage	U_B	22 ... 253 V AC/DC
No-load supply current	I_0	≤ 60 mA
Time delay before availability	t_v	≤ 900 ms
Output		
Output type		1 relay output
Rated operating current	I_e	3 A
Repeat accuracy		≤ 0.5 % of switching point
Switching frequency	f	≤ 0.6 Hz
Range hysteresis	H	1 % of the set operating distance
Temperature influence		± 1 % of full-scale value
Compliance with standards and directives		
Standard conformity		
Standards		EN IEC 60947-5-2:2020 IEC 60947-5-2:2019
Ambient conditions		
Ambient temperature		-25 ... 70 °C (-13 ... 158 °F)
Storage temperature		-40 ... 85 °C (-40 ... 185 °F)
Mechanical specifications		
Degree of protection		IP65
Connection		5-pin V95 connector (7/8"-16 UN 2A)
Material		
Housing		PBT
Transducer		epoxy resin/hollow glass sphere mixture; foam polyurethane, cover PBT
Mass		370 g

Connection



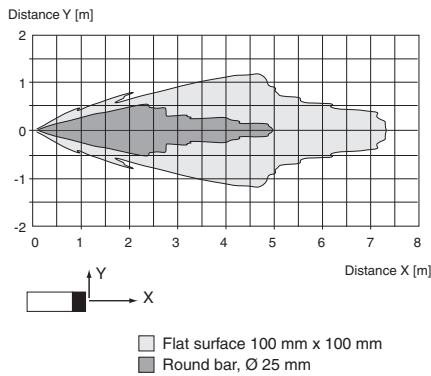
Connection Assignment



Release date: 2023-02-15 Date of issue: 2023-02-15 Filename: 111686_eng.pdf

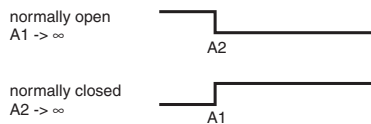
Characteristic Curve

Characteristic response curve

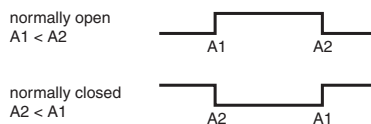


Possible operating modes

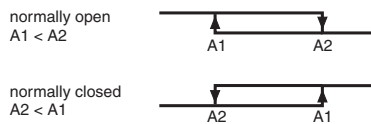
1. Switch point operation



2. Window operation



3. Hysteresis operation



4. Object presence detection mode

A1 → ∞, A2 → ∞: Sensor detects object presence within sensing range
Note A1 → ∞, A2 → ∞ means: cover sensor with hand or remove all objects from sensing range

Accessories

	V95-G-Y	Female connector, 7/8" - 16 UN, 5-pin, field attachable
	V95-W-5M-PVC	Female cordset, 7/8", 5-pin, PVC cable
	V95-W	Female connector, field-attachable
	V95-W-2M-PVC	Female cordset, 7/8", 5-pin, PVC cable
	MH 04-3505	Mounting aid for FP and F42 sensors

Release date: 2023-02-15 Date of issue: 2023-02-15 Filename: 111686_eng.pdf

Accessories



MHW 11

Mounting brackets for sensors

Release date: 2023-02-15 Date of issue: 2023-02-15 Filename: 111686_eng.pdf

Refer to "General Notes Relating to Pepperl+Fuchs Product Information".

Pepperl+Fuchs Group
www.pepperl-fuchs.com

USA: +1 330 486 0001
fa-info@us.pepperl-fuchs.com

Germany: +49 621 776 1111
fa-info@de.pepperl-fuchs.com

Singapore: +65 6779 9091
fa-info@sg.pepperl-fuchs.com

 **PEPPERL+FUCHS**

Additional Information

Safety notes:

The supply circuit is separated from the relay circuit by basic insulation.

Safety class II is only guaranteed when using cable connectors listed in the accessories. The connector cable may only be separated from the unit when the power is off.



CAUTION:

The UB...-F42(S)-UK-V95 ultrasonic sensor is not suitable for use in environments subject to explosion hazards.

Conformity:	EN 60947-5-2
Housing insulation:	Safety class II
Degree of contamination:	3
Overvoltage category:	III

Parameterisation:

You can use 2 keys to parameterise the sensor. In order to start the switch point 1 learning mode, press the A1 key; in order to start the switch point 2 learning mode, press the A2 key.

If you keep both keys pressed as you switch on the power supply, the sensor will switch over to the sensitivity adjustment mode of operation.

In case the parameterisation procedure is not completed within 5 minutes, the sensor will discontinue the process and retain all previous settings.

Teaching in switch points:

Teaching in A1 switch point by pressing A1 key.

Keep A1 key pressed for > 2 s	The sensor enters the switch point 1 learning mode
Position target object in the desired distance	The sensor indicates via LED lights whether the target object has been detected. In case the object has been detected, the yellow LED will flash; if the object has not been detected, the red LED flashes.
Briefly press the A1 key	The sensor completes the switch point 1 TEACH-IN process and saves this value in non-volatile memory. In the event of an uncertain object (flashing red LED), the value learned is invalid. The system exits the TEACH-IN mode.

Analogously, the A2 switch point is learned in the same fashion as described above using the A2 key.

Switching hysteresis operation mode <--> switch point/window operation mode:

Keep both A1 and A2 keys pressed	The sensor indicates the current operation mode through the green LED. permanent green: Switch point/window operation mode flashing green: Hysteresis operation mode
after 2 seconds:	The sensor changes the operation mode which can be identified through the green LED. permanent green: Switch point/window operation mode flashing green: Hysteresis operation mode
Release keys	The green LED of the sensor keeps indicating the operation mode selected for additional 5 seconds

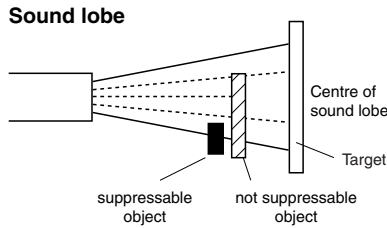
Suppression of disturbing targets

Some types of installation or particular conditions during operation of an ultrasonic sensor may admit that undesired objects (such as shelf brow posts, edges of machines) are closer than the actual target as they enter the recording range. In this case, the sensor would normally detect these objects rather than the desired target. So in order to ensure an error-free operation, it may be necessary to suppress those objects.

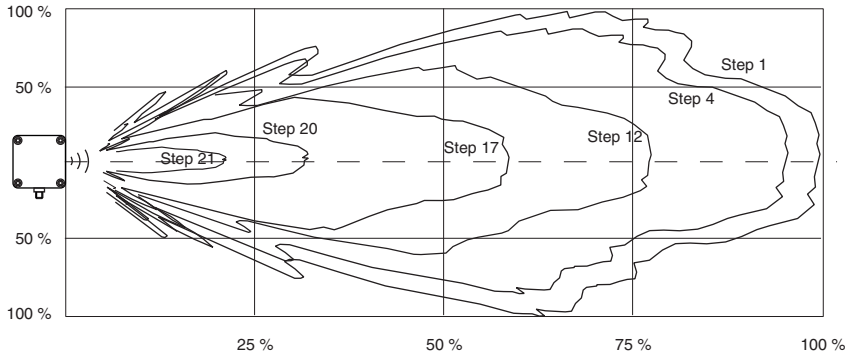
Objects can be suppressed if they meet the following conditions:

- The disturbing target must not hide the actual target completely.
- The amplitude of the disturbing signal must be smaller than the amplitude of the desired signal.
- The disturbing target must remain in the edge region of the sound lobe and must not enter its center.

Release date: 2023-02-15 Date of issue: 2023-02-15 Filename: 111686_eng.pdf



The suppression of the disturbing target is effected through reduction of the response sensitivity. This figure shows its effect on the response characteristics of the sensor. The sensor is preset on step 1 by the manufacturer.



Sensitivity adjustment for suppression of disturbing targets

Remove the actual target object from the detection range.

- | | |
|--|--|
| <p>Keep A1 and A2 keys pressed as you switch on power supply</p> | <p>The sensor enters the sensitivity adjustment mode of operation. The sensor sensitivity can be adjusted in 24 steps.
Step 1 = high response
Step 24 = low response</p> |
| <p>Briefly press the A1 key</p> | <p>Response is increased. The LED lights indicate the actual state of the sensor.</p> <ul style="list-style-type: none"> • flashing red: no disturbing target detected • flashing yellow: disturbing target detected • permanent red: upper setting limit is reached. |
| <p>Briefly press the A2 key</p> | <p>Response is decreased. The LED lights indicate the actual state of the sensor.</p> <ul style="list-style-type: none"> • flashing red: no disturbing target detected • flashing yellow: disturbing target detected • permanent red: lower setting limit is reached. |
| <p>Press both A1 and A2 keys at once</p> | <p>Exiting sensitivity adjustment. The sensor response is saved in non-volatile memory. In the event the sensitivity adjustment is not exited through this procedure, the sensor will exit this operation mode automatically after 5 minutes, and the previous sensitivity value remains valid.</p> |

Accessories

Cable connector

V95-W-2M-PVC

Mounting aid

MH 04-3505

MHW 11

Release date: 2023-02-15 Date of issue: 2023-02-15 Filename: 111686_eng.pdf