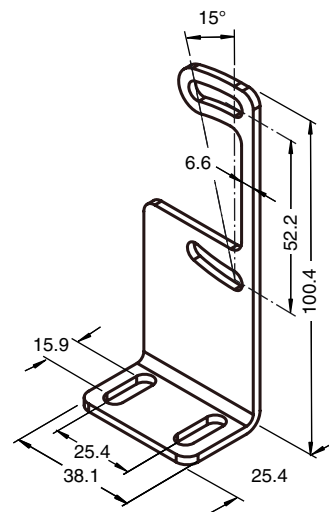


**Model Number****OMH-DK50**

Right-Angled Mounting Bracket

Features

- Mounting bracket

Dimensions**Technical data****Mechanical specifications**

Material Stainless steel 1.4305 / AISI 303