



AS-Interface Handheld VBP-HH1-V3.0-V1

- Addressing and programming AS-Interface nodes
- Displaying the assigned node addresses and the status of the inputs
- Setting outputs at the AS-Interface node
- Also supports profiles S-7.7.A.7 (Spec 3.0), S-0.B and S-7.B (AS Interface Safety at Work)
- The node connection is short-circuit and overload proof
- Additional M12 plug for external power supply for AS-Interface and AUX
- Connecting cable included with delivery
- Battery charger included with delivery

AS-Interface Handheld



Function

The AS-Interface handheld VBP-HH1-V3.0-V1 is an addressing device according to ASInterface specification 3.0. This addressing device is used to program AS-Interface slaves and for function testing purposes.

In addition, the following new functionalities have been integrated:

- Permanent data interchange with AS-Interface slaves
- Support of the data interchange with 4E4A slaves in ext. addressing mode
- Display of the safety code for AS-Interface Safety at Work slaves

The AS-Interface connection adapter on the top of the addressing device is used for the connection of AS-Interface slaves (sensors, actuators and modules) to the addressing device. The following devices and models can be connected via a plug connection on the AS-Interface connection adapter to the addressing device:

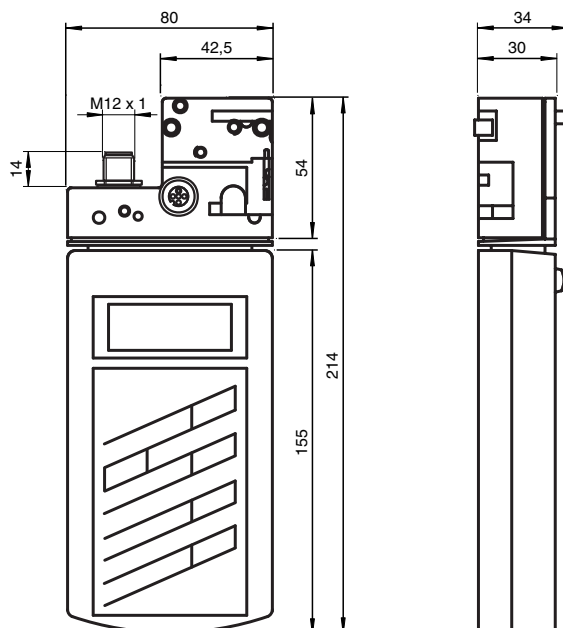
devices with M12 plug, VariKont M system, VariKont system, FP model, AS-Interface module of models G1, G4, G16.

Please use the adapter cable VAZ-PK-1,5M-V1-G (included in the scope of delivery) for device models with integrated addressing jacks.

There is an additional M12 plug on the front side of the housing. It provides a connection possibility with external auxiliary voltage AUX for slaves, which expect this at the connection adapter. Due to the integrated decoupling coil it is also possible to connect DC- or AS-Interface voltage to energize the slave directly and to relieve the internal battery.

A connection cable for the extension is included in the scope of delivery.

Dimensions



Release date: 2022-12-15 Date of issue: 2022-12-15 Filename: 279457_eng.pdf

Refer to "General Notes Relating to Pepperl+Fuchs Product Information".

Pepperl+Fuchs Group
www.pepperl-fuchs.com

USA: +1 330 486 0001
fa-info@us.pepperl-fuchs.com

Germany: +49 621 776 1111
fa-info@de.pepperl-fuchs.com

Singapore: +65 6779 9091
fa-info@sg.pepperl-fuchs.com

PF PEPPERL+FUCHS

Technical Data

General specifications		
AS-Interface specification		V3.0
Operating mode		Plug-in charging unit, 230 V AC, included in the delivery package
Indicators/operating means		
Display		LC display
Keyboard		membrane keys, 5 keys
Electrical specifications		
Operating duration		8 h or ≥ 250 read/write procedures for fully charged battery
Power supply		battery mode, please use only battery charger included with delivery to charge (charging time about 14 h)
Interface		
Interface type		AS-Interface, short-circuit and overload protected
Open loop voltage		28 V (internal power supply)
Load current		100 mA at 25 V (internal power supply)
Interface 2		
Interface type		M12 connector for external power supply
Physical		AUX: 24 V PELV, 2 A (not short-circuit proof) AS-Interface: 31,6 V PELV (DC or AS-Interface), 200 mA (short-circuit proof)
Directive conformity		
Electromagnetic compatibility		
Directive 2014/30/EU		Handheld: EN 61326-1:2013 Plug-in charging unit EN 61000-3-2:2014 , EN 61000-3-3:2013 , EN 61000-4-2:2009 , EN 61000-4-3:2006+A1:2008+A2:2010, EN 61000-4-4:2012, EN 61000-4-5:2014+A1:2017, EN 61000-4-6:2014+AC:2015, EN 61000-4-8:2010, EN 61000-4-11:2004+A1:2017 , EN 55032:2015+AC:2016 , EN 55035:2017
Low voltage		
Directive 2014/35/EU		Plug-in charging unit EN 62368-1:2014+A11:2017
Standard conformity		
Degree of protection		EN 60529:2000
Electrical safety		Plug-in charging unit EN 62368-1:2014+A11:2017
Emitted interference		Handheld: EN 61326-1:2013 Plug-in charging unit EN 55032:2015+AC:2016 , EN 55035:2017
Noise immunity		Handheld: EN 61326-1:2013 Plug-in charging unit EN 61000-3-2:2014 , EN 61000-3-3:2013
Ambient conditions		
Ambient temperature		0 ... 40 °C (32 ... 104 °F)
Storage temperature		-20 ... 40 °C (-4 ... 104 °F)
Mechanical specifications		
Degree of protection		IP20
Material		
Housing		plastic
Mass		approx. 610 g

Release date: 2022-12-15 Date of issue: 2022-12-15 Filename: 279457_eng.pdf

Refer to "General Notes Relating to Pepperl+Fuchs Product Information".

Pepperl+Fuchs Group
www.pepperl-fuchs.com

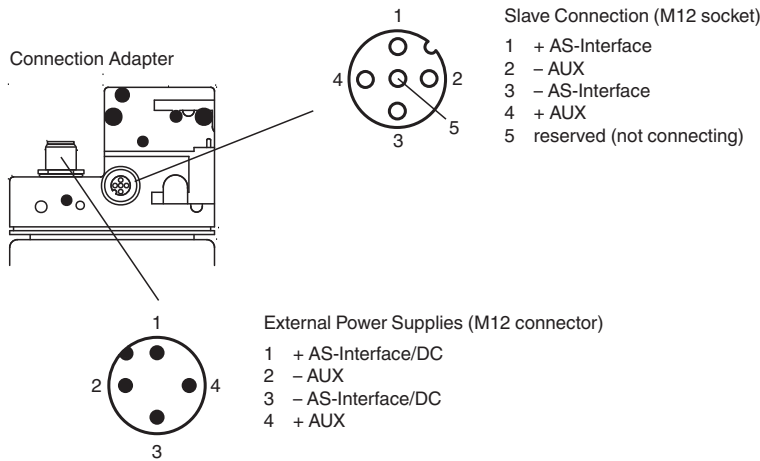
USA: +1 330 486 0001
fa-info@us.pepperl-fuchs.com

Germany: +49 621 776 1111
fa-info@de.pepperl-fuchs.com

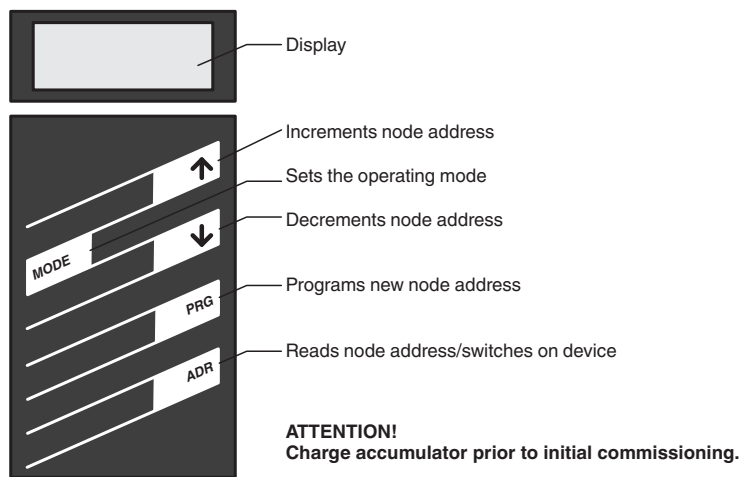
Singapore: +65 6779 9091
fa-info@sg.pepperl-fuchs.com

 **PEPPERL+FUCHS**

Connection



Assembly



Accessories

	VAZ-PK-1,5M-V1-G	Adapter cable module/hand-held programming device
	V1S-TEE-V1/V1S	T-Splitter M12 plug to M12 plug / M12 socket 4-pin A-coded
	VAZ-PK-FK-0,2M-V1-W	Adapter cable G10 module/hand-held programming device
	VAZ-PK/G20-1M-V1-G	Adapter cable G20 module/hand-held programming device

Release date: 2022-12-15 Date of issue: 2022-12-15 Filename: 279457_eng.pdf

Refer to "General Notes Relating to Pepperl+Fuchs Product Information".