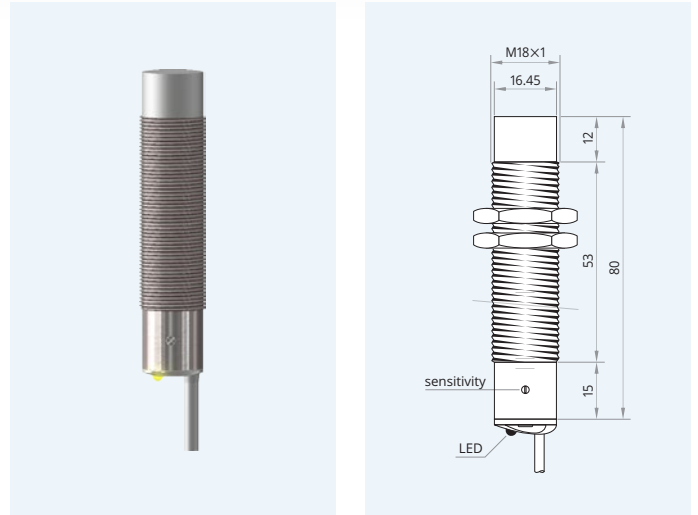


CS18-N15AC90-A2P

Capacitive Proximity Switch 2-Wire AC Sensing range: *Increased*

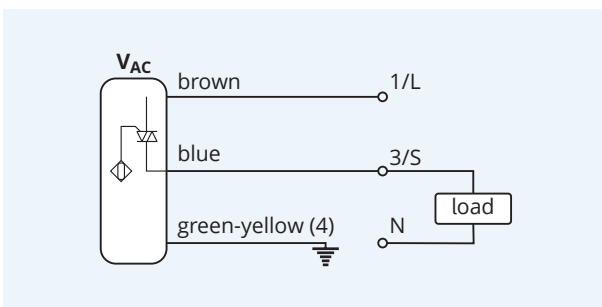
Mind O≠0, I≠I≠1, S≠5, B≠8.

| | |
|-----------------------------|-----------------------------|
| Housing dimension | M18×1 |
| Mounting | non-flush |
| Sensing distance S_n | 15 mm |
| Operating voltage | 20...250 V _{AC} |
| Reverse polarity protection | not required |
| Current consumption | <3 mA |
| Current load capability | ≈5 mA |
| Output function | normally closed |
| Voltage drop | <8 V @ 400 mA |
| Switching frequency | 25 Hz |
| Adjustment | multi-turn potentiometer |
| Operating temperature | -20...+70 °C · -3...+159 °F |
| Protection class | IP67 |
| Sensing face material | PBT |
| Housing material | brass |
| Switching indicator | built-in |
| Connection | PVC, ultra-flex |
| Complies with | CE, RoHS |



25 months Warranty Our products are manufactured to stringent ISO 9001 European standards to ensure that our customers only receive the best quality.

Wiring diagram



Caution! This device shall not be used if the safety of persons rely on its faultless function.

XECRO reserves the right to make minor changes without prior notification.