



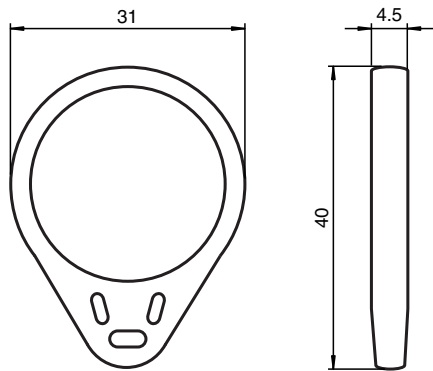
## RFID Transponder IPC03-20K1 10pcs

- Battery-free data carrier
- 32 bit fixcode
- 928 bits memory available
- Readable and writable from both sides
- Degree of protection IP67
- Key fob
- Packaging unit: 10 pieces

Data carrier



### Dimensions



### Technical Data

| General specifications      |                                   |
|-----------------------------|-----------------------------------|
| Operating frequency         | 125 kHz                           |
| Transfer rate               | 2 kBit/s                          |
| Memory                      |                                   |
| Chip Type                   | EM4450 Titan (EM Microelectronic) |
| EEPROM                      | 928 Bit                           |
| Read cycles                 | unlimited                         |
| Write cycles                | > 100000                          |
| Data retention period       | 10 years at 55 °C (131 °F)        |
| Directive conformity        |                                   |
| Radio equipment             |                                   |
| Directive 2014/53/EU        | EN 300330                         |
| RoHS                        |                                   |
| Directive 2011/65/EU (RoHS) | IEC/EN 63000                      |
| Standard conformity         |                                   |
| Degree of protection        | EN 60529                          |
| RFID                        | ISO/IEC 18000-2                   |

Release date: 2022-12-15 Date of issue: 2022-12-15 Filename: 261634\_eng.pdf

Refer to "General Notes Relating to Pepperl+Fuchs Product Information".

Pepperl+Fuchs Group  
www.pepperl-fuchs.com

USA: +1 330 486 0001  
fa-info@us.pepperl-fuchs.com

Germany: +49 621 776 1111  
fa-info@de.pepperl-fuchs.com

Singapore: +65 6779 9091  
fa-info@sg.pepperl-fuchs.com

PEPPERL+FUCHS

## Technical Data

### Ambient conditions

|                     |                                |
|---------------------|--------------------------------|
| Ambient temperature | -25 ... 70 °C (-13 ... 158 °F) |
| Storage temperature | -40 ... 90 °C (-40 ... 194 °F) |

### Mechanical specifications

|                      |                          |
|----------------------|--------------------------|
| Housing length       | 40 mm                    |
| Housing width        | 31 mm                    |
| Housing height       | 4.5 mm                   |
| Housing diameter     | 31 mm                    |
| Degree of protection | IP67                     |
| Material             |                          |
| Housing              | PC (Polycarbonate)       |
| Installation         |                          |
| In air               | yes                      |
| Construction type    | Key fob                  |
| Note                 | Packaging unit, 10-piece |

## Application

The transponder can be read and written from either side.