



## Photoelectric base modul, Accessories

### MPS32HD

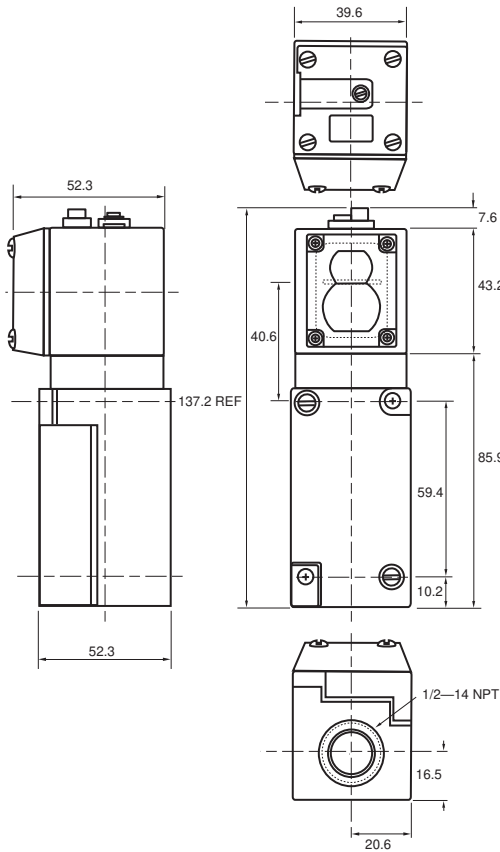
- Plug-In base
- Harsh duty
- Modular design
- Exchangeable rotatable head
- Limit switch and mini style plug-in bases
- Screw terminal, preleaded, and connector version receptacles
- Withstands 1200 psi washdown
- IP69K
- DC model

Photoelectric Sensors; MP Series Modular

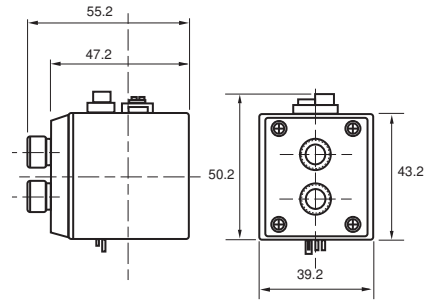


**Dimensions**

**SENSOR HEAD, BASE AND RECEPTACLE DIMENSIONS**



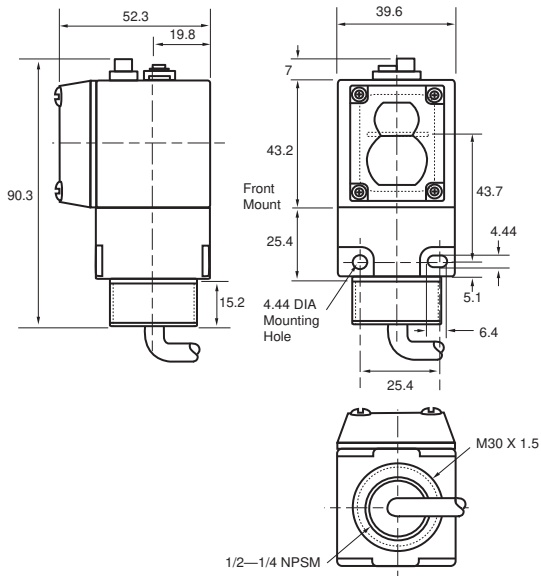
**FIBER OPTIC SENSOR HEAD DIMENSIONS**



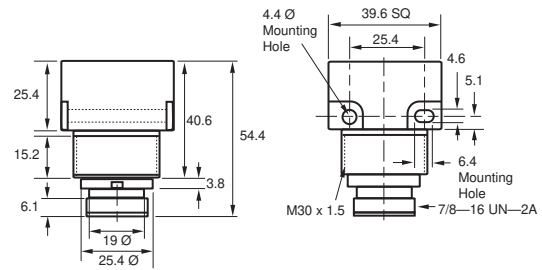
10-32 UNF-2B  
Tapped from rear  
12.7/500 min  
depth (2)

5.1 DIA (2)  
Mounting Holes

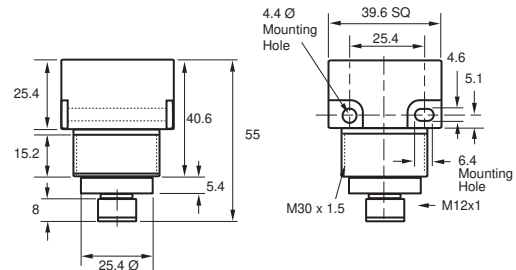
**SENSOR HEAD WITH MINI RELAY BASE DIMENSIONS**



**QUICK DISCONNECT MINI BASE DIMENSIONS**



**QUICK DISCONNECT MICRO BASE DIMENSIONS**



**Technical Data**

**General specifications**

Marking CE

**Electrical specifications**

Operating voltage  $U_B$  10 ... 30 V DC

Release date: 2022-10-20 Date of issue: 2022-10-20 Filename: 454459\_eng.pdf

Refer to "General Notes Relating to Pepperl+Fuchs Product Information".

Pepperl+Fuchs Group  
www.pepperl-fuchs.com

USA: +1 330 486 0001  
fa-info@us.pepperl-fuchs.com

Germany: +49 621 776 1111  
fa-info@de.pepperl-fuchs.com

Singapore: +65 6779 9091  
fa-info@sg.pepperl-fuchs.com

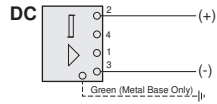
**PEPPERL+FUCHS**

## Technical Data

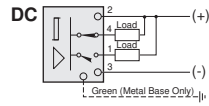
Operating current	$I_B$	250 mA max
<b>Output</b>		
Voltage drop	$U_d$	$\leq 1.0$ V DC
Current consumption		$\leq 25$ mA
Response time		$\leq 10$ ms
<b>Output 1</b>		
Output type		DC
<b>Output 2</b>		
Output type		1 PNP, Reverse polarity protected
<b>Standard conformity</b>		
Standards		EN 60947-5-2
<b>Approvals and certificates</b>		
Approvals		CE, cULus
<b>Ambient conditions</b>		
Ambient temperature		-30 ... 70 °C (-22 ... 158 °F)
Storage temperature		-55 ... 85 °C (-67 ... 185 °F)
Relative humidity		95% RH (non-condensing)
Shock resistance		50G
Vibration resistance		10G, 10 ... 500 Hz
<b>Mechanical specifications</b>		
Housing width		39.6 mm
Housing height		85.9 mm
Housing depth		52.3 mm
Degree of protection		IP69K When all components are properly assembled
Connection		Dependent on receptacle selected
<b>Material</b>		
Housing		Glass-filled Polysulfone

**Connection**

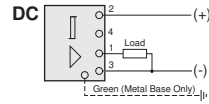
**Model: MPS30HD**



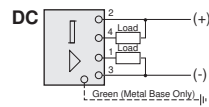
**Model: MPS31HD**



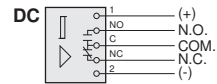
**Model: MPS32HD**



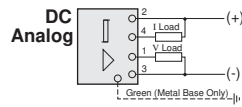
**Model: MPS33HD**



**Model: MPV31HD**



**Model: MPS35HD**



Release date: 2022-10-20 Date of issue: 2022-10-20 Filename: 454459\_eng.pdf

## Additional Information

NOTE: Total response time is the sum of the sensor head and base response times.

Release date: 2022-10-20 Date of issue: 2022-10-20 Filename: 454459\_eng.pdf

Refer to "General Notes Relating to Pepperl+Fuchs Product Information".

Pepperl+Fuchs Group  
www.pepperl-fuchs.com

USA: +1 330 486 0001  
fa-info@us.pepperl-fuchs.com

Germany: +49 621 776 1111  
fa-info@de.pepperl-fuchs.com

Singapore: +65 6779 9091  
fa-info@sg.pepperl-fuchs.com

 **PEPPERL+FUCHS**